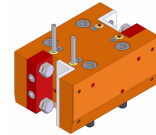


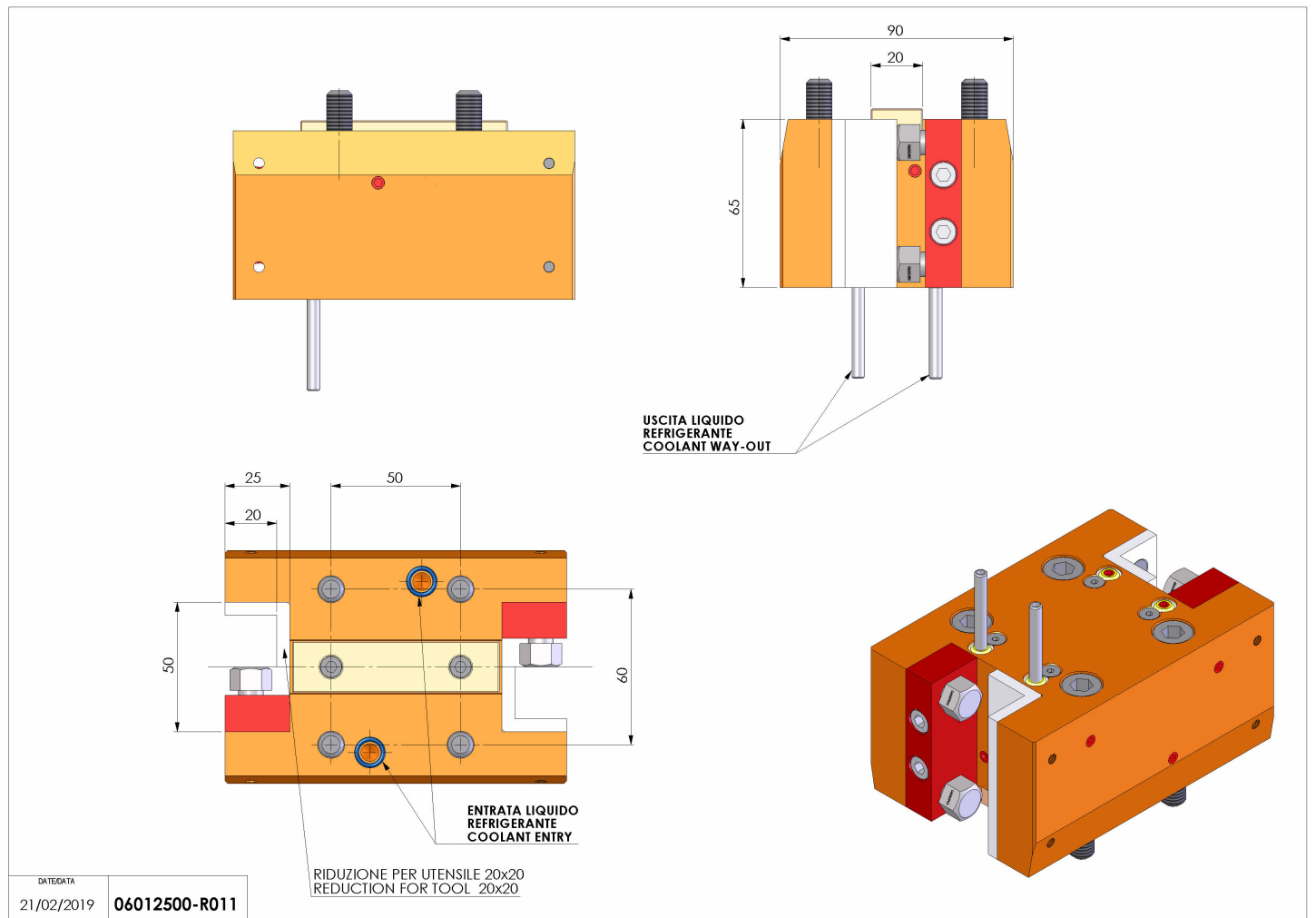
06012500 - TH-RAD D55 Q25-20 DOPPIO NK

Type	TH-RAD Radial Tool holder
Mounting	CYLINDRICAL SHANK 55
Tool output	Radial Square Tool Holder 25x25
Coolant	External coolant
H [mm]	65



Accessories	N.A.
Notes	N.A.
Mounting tips	Not suitable for every application, please check

Always check live tool dimensions on the turret



Subject to technical changes