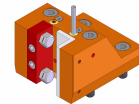


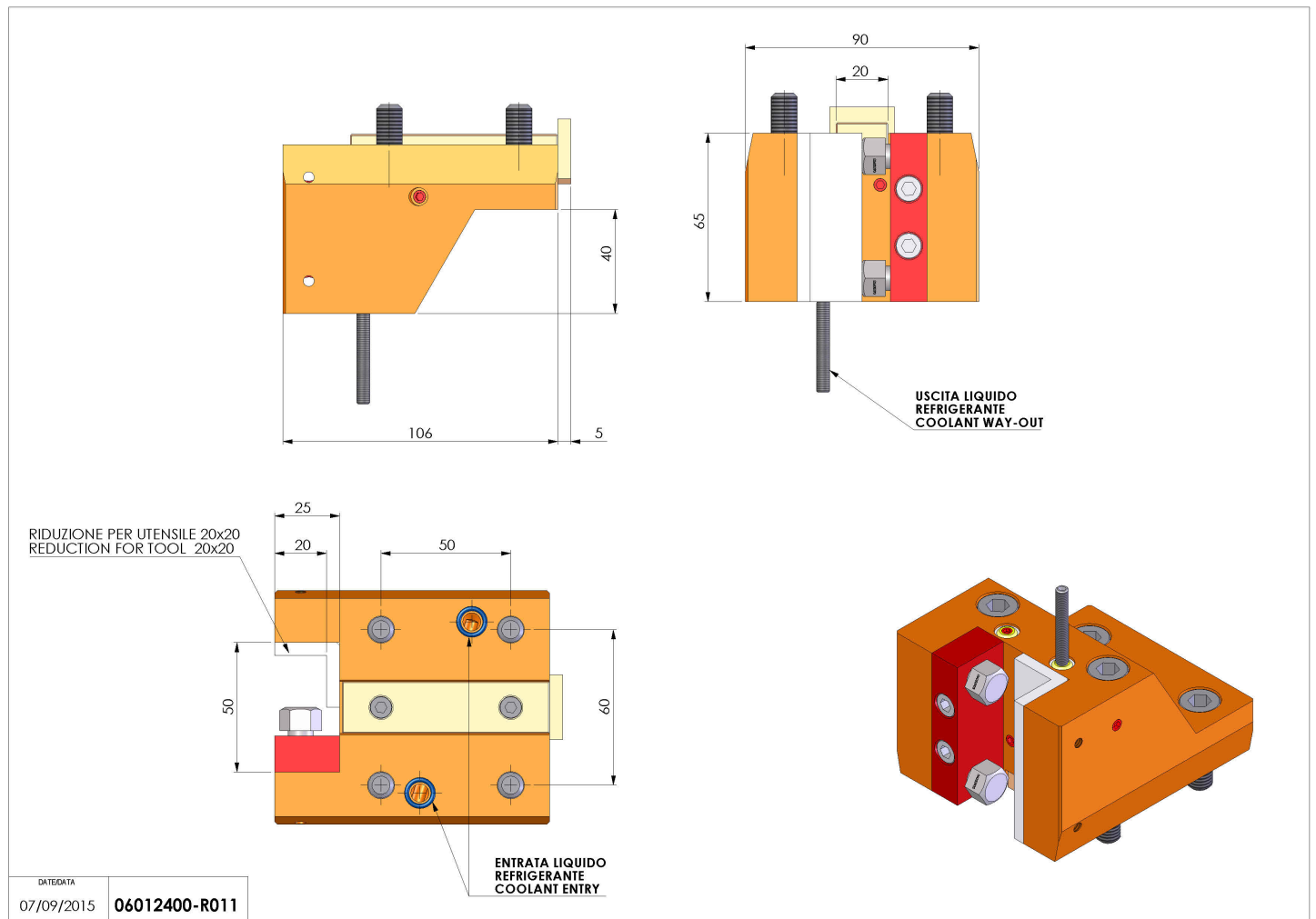
06012400 - TH-RAD D55 Q25-20 TP NK

| | |
|--------------------|---------------------------------|
| Type | TH-RAD Radial Tool holder |
| Mounting | CYLINDRICAL SHANK 55 |
| Tool output | Radial Square Tool Holder 25x25 |
| Coolant | External coolant |
| H [mm] | 65 |



| | |
|----------------------|--------------------------------------------------|
| Accessories | N.A. |
| Notes | N.A. |
| Mounting tips | Not suitable for every application, please check |

Always check live tool dimensions on the turret



Subject to technical changes