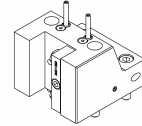


06010500 - TH-RAD D44 Q20 H59 NK

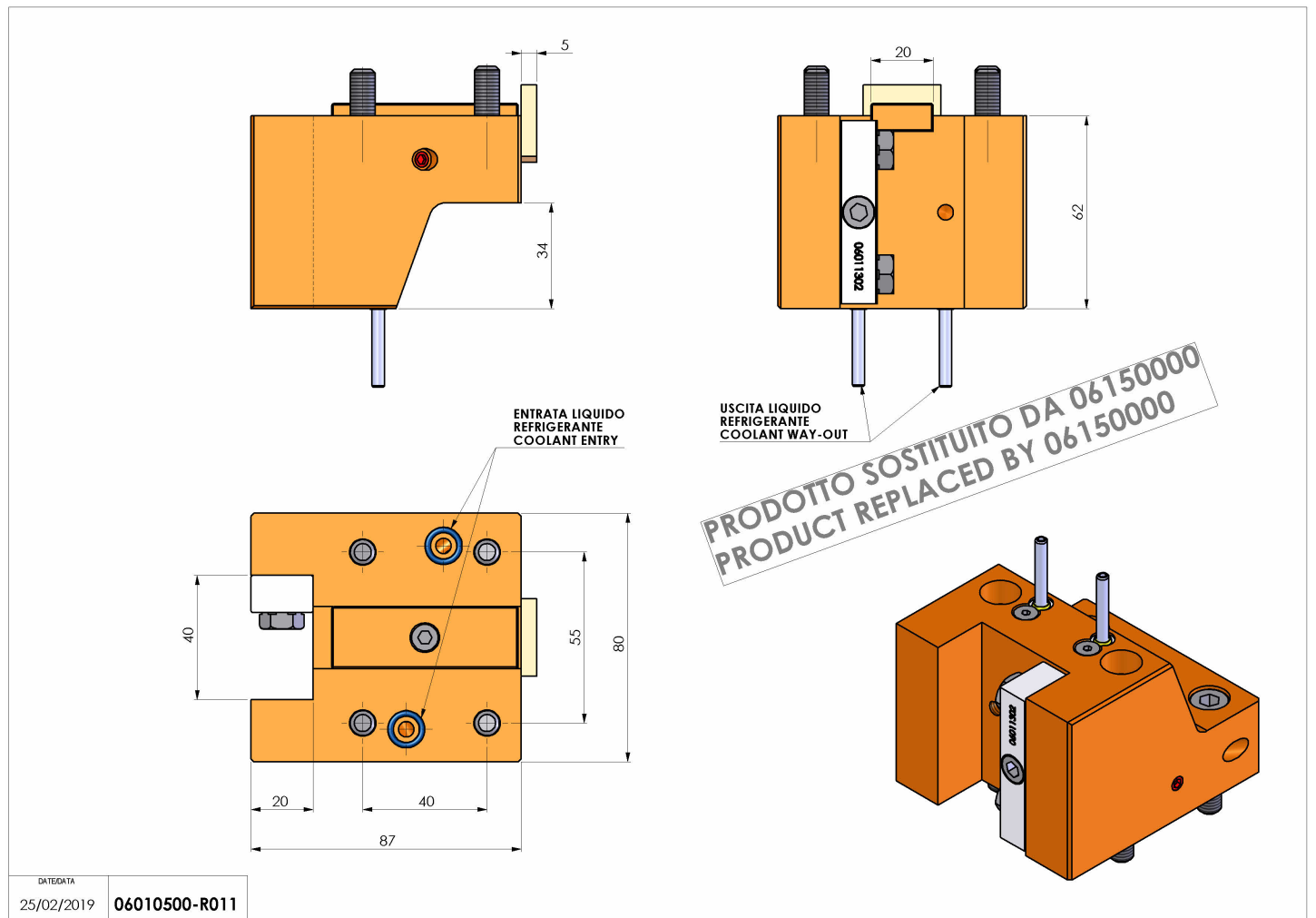
Type	TH-RAD Radial Tool holder
Mounting	CYLINDRICAL SHANK 44
Tool output	Radial Square Tool Holder 20x20
Coolant	External coolant
H [mm]	62



REPLACED BY 06150000

Accessories	N.A.
Notes	Soon out of stock. Replaced by cod. 06150000
Mounting tips	Not suitable for every application, please check

Always check live tool dimensions on the turret



Subject to technical changes