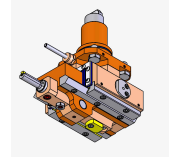
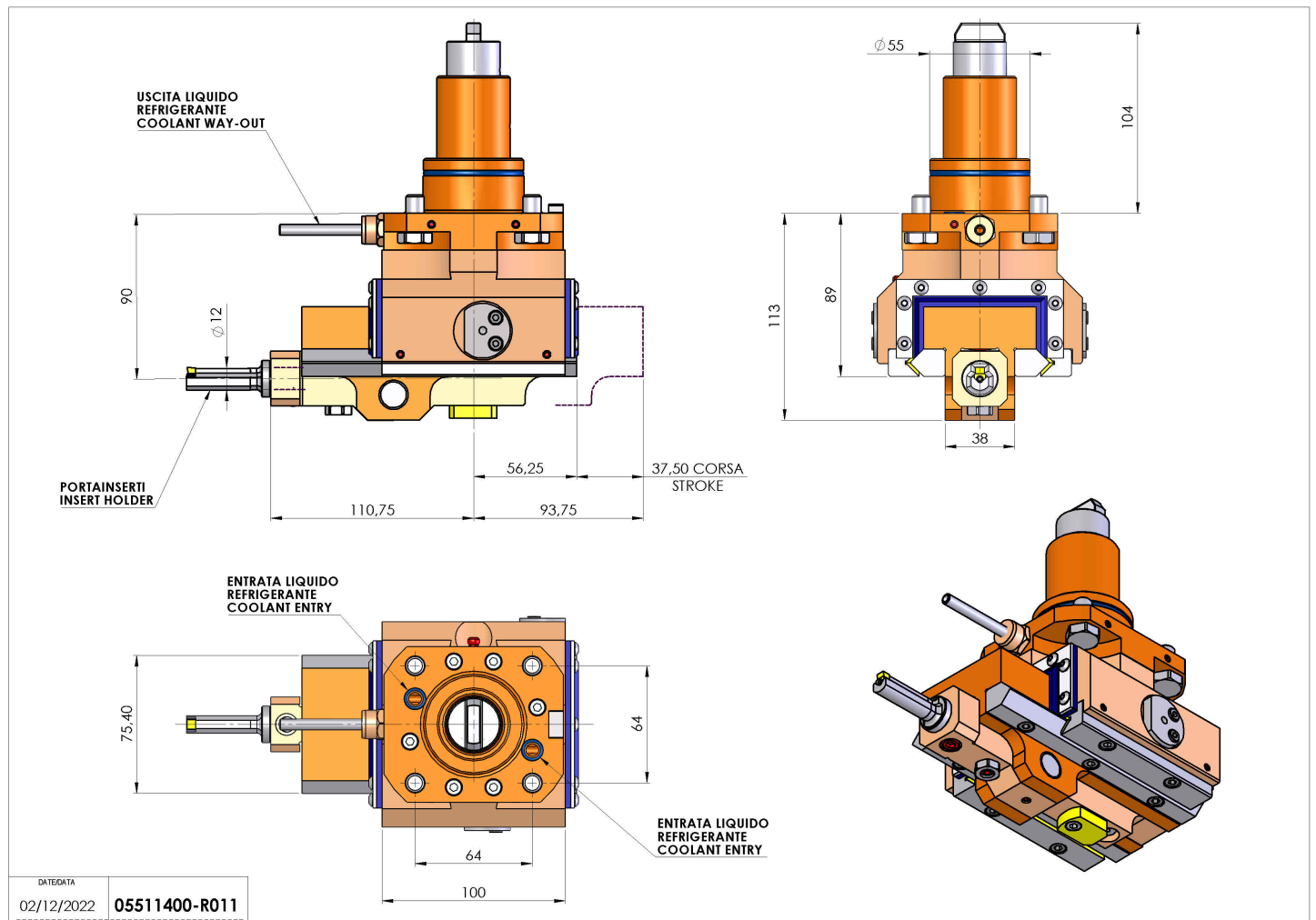


05511400 - LT-A ST37.5 BMT55 BD C12 H90

Type	LT-A ST Slotting tool 90°
Mounting	BMT 55 BIG DRIVE
Tool output	Tool diameter 12
Coolant	External coolant
Max speed [rpm]	700
Max torque [Nm]	17.5
Ratio	1:1
Y axis adjustment	SI
Feed pushing [N]	1000
Stroke [mm]	37.5
Work stroke [mm]	32.5
H [mm]	90
Accessories	N.A.
Notes	N.A.
Mounting tips	Not suitable for every application, please check



Always check live tool dimensions on the turret



Subject to technical changes