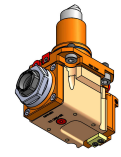
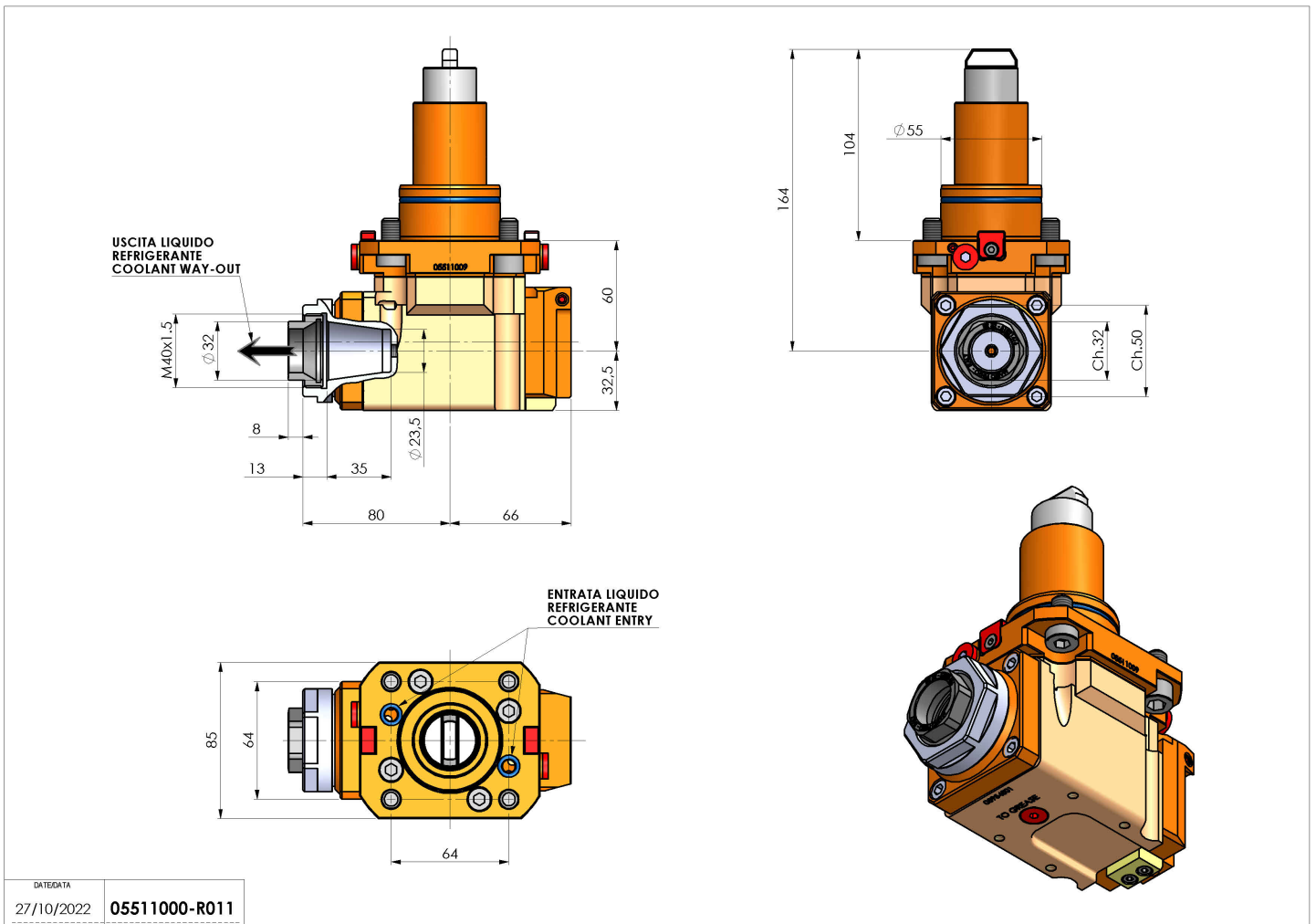


# 05511000 - LT-A BMT55 BD ER32F LR HRF H60

|                              |  |
|------------------------------|--|
| <b>Type</b>                  | LT-A<br>Tool holder angle 90°                    |
| <b>Mounting</b>              | BMT 55 BIG DRIVE                                 |
| <b>Tool output</b>           | Collet nut ER 32 F - internal nut                |
| <b>Coolant</b>               | HP Internal coolant                              |
| <b>Direction of rotation</b> | r1 ↻ r2 ↻  |
| <b>Max speed [rpm]</b>       | 6000   |
| <b>Max torque [Nm]</b>       | 40   |
| <b>Ratio</b>                 | 1:1  |
| <b>H [mm]</b>                | 60   |
| <b>H1 [mm]</b>               | 32.5   |
| <b>Max pressure [bar]</b>    | 80   |
| <b>Accessories</b>           | N.A.   |
| <b>Notes</b>                 | N.A.   |
| <b>Mounting tips</b>         | Not suitable for every application, please check |



Always check live tool dimensions on the turret



|            |               |
|------------|---------------|
| DATE/DATE  | 05511000-R011 |
| 27/10/2022 |               |

Subject to technical changes