

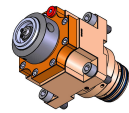
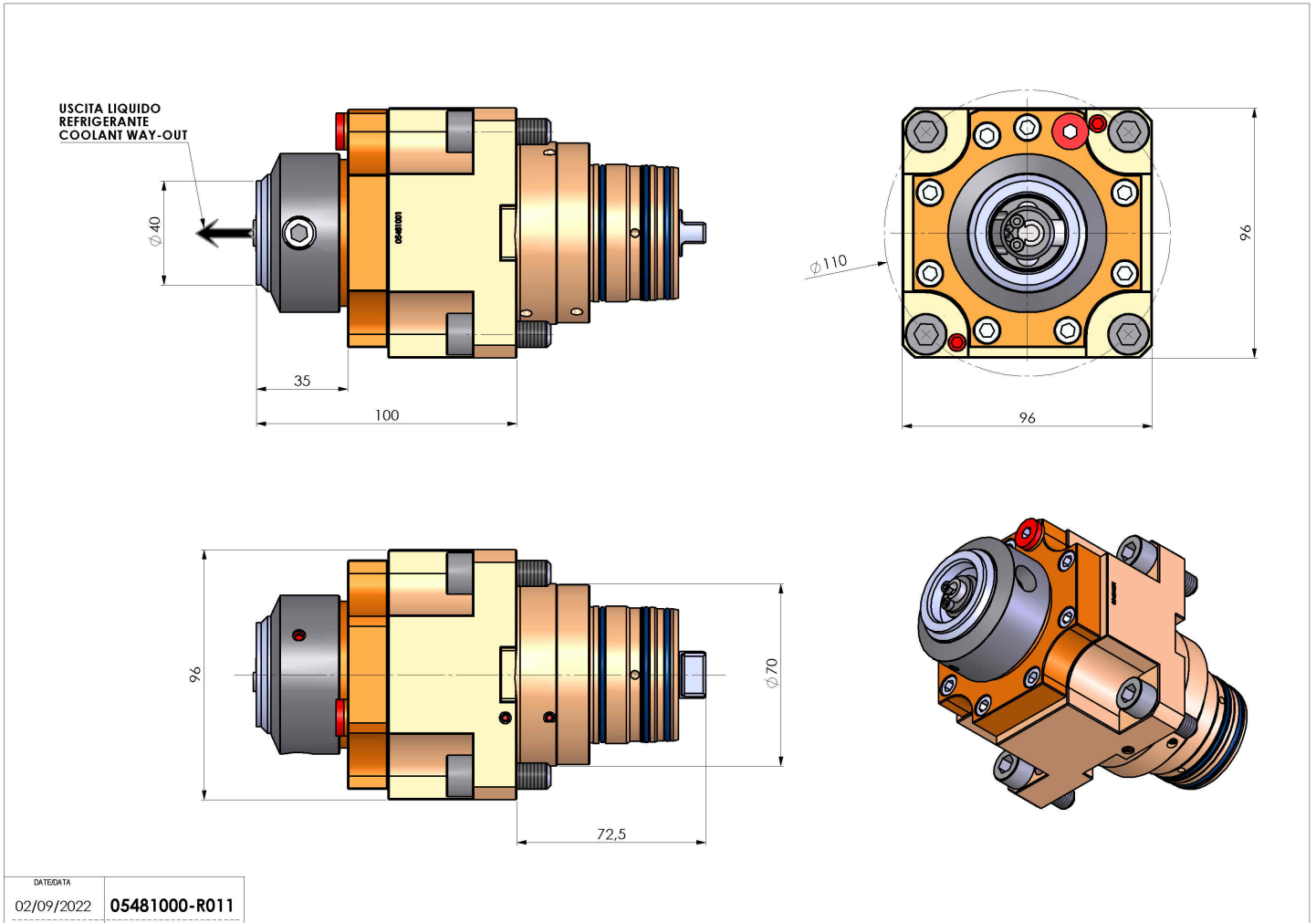


05481000 - LT-S D70 KM40 RF HS H100

Type	LT-S Tool holder straight
Mounting	CYLINDRICAL SHANK 70
Tool output	Quick Change KM40
Coolant	Internal coolant
Direction of rotation	r1  r2 
Max speed [rpm]	8000
Max torque [Nm]	80
Ratio	1:1
H [mm]	100
Accessories	N.A.
Notes	N.A.
Mounting tips	Not suitable for every application, please check



Always check live tool dimensions on the turret



DATE/DATE	02/09/2022	05481000-R011
-----------	------------	---------------

Subject to technical changes