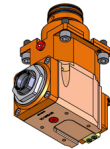
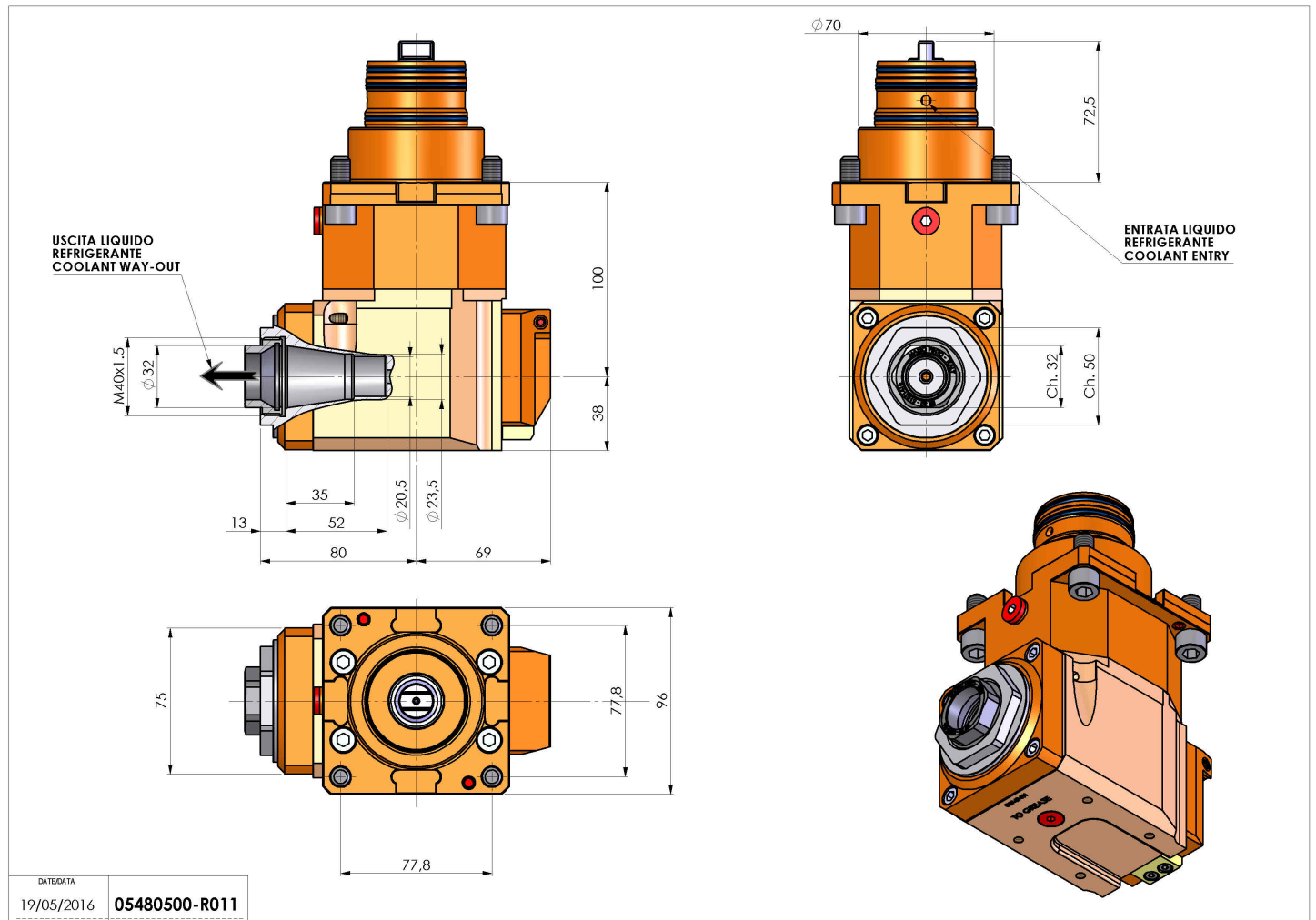


05480500 - LT-A D70 ER32F HRF H100 FA

Type	LT-A Tool holder angle 90°
Mounting	CYLINDRICAL SHANK 70
Tool output	Collet nut ER 32 F - internal nut
Coolant	HP Internal coolant
Direction of rotation	r1 ↻ r2 ↻
Max speed [rpm]	8000
Max torque [Nm]	80
Ratio	1:1
H [mm]	100
H1 [mm]	38
Max pressure [bar]	80
Accessories	N.A.
Notes	N.A.
Mounting tips	Not suitable for every application, please check



Always check live tool dimensions on the turret



DATE/DATA: 19/05/2016
05480500-R011

Subject to technical changes