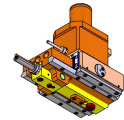


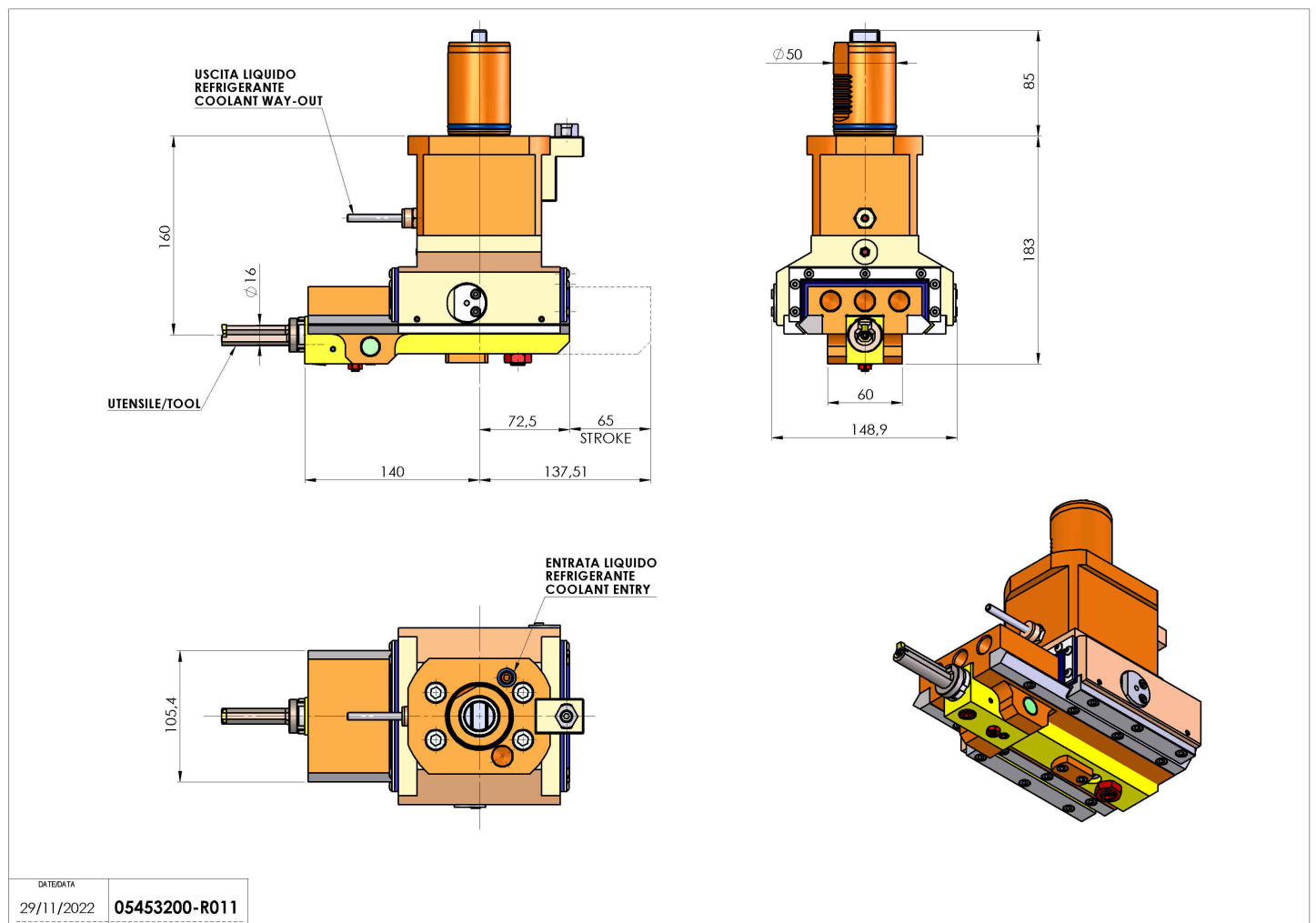
05453200 - LT-A ST65 VDI50 C16 CR-AY H160

Type	LT-A ST Slotting tool 90°
Mounting	VDI 50
Tool output	Tool diameter 16
Coolant	External coolant
Max speed [rpm]	700
Max torque [Nm]	17.5
Ratio	1:1
Y axis adjustment	SI
Feed pushing [N]	1000
Stroke [mm]	65
Work stroke [mm]	60
H [mm]	160
Accessories	N.A.
Notes	N.A.
Mounting tips	Not suitable for every application, please check



ATTENZIONE: VERIFICARE L'ORIENTAMENTO DELLA DENTATURA VDI

Always check live tool dimensions on the turret



DATE/GATE
29/11/2022 **05453200-R011**

Subject to technical changes