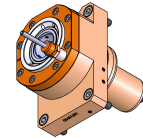
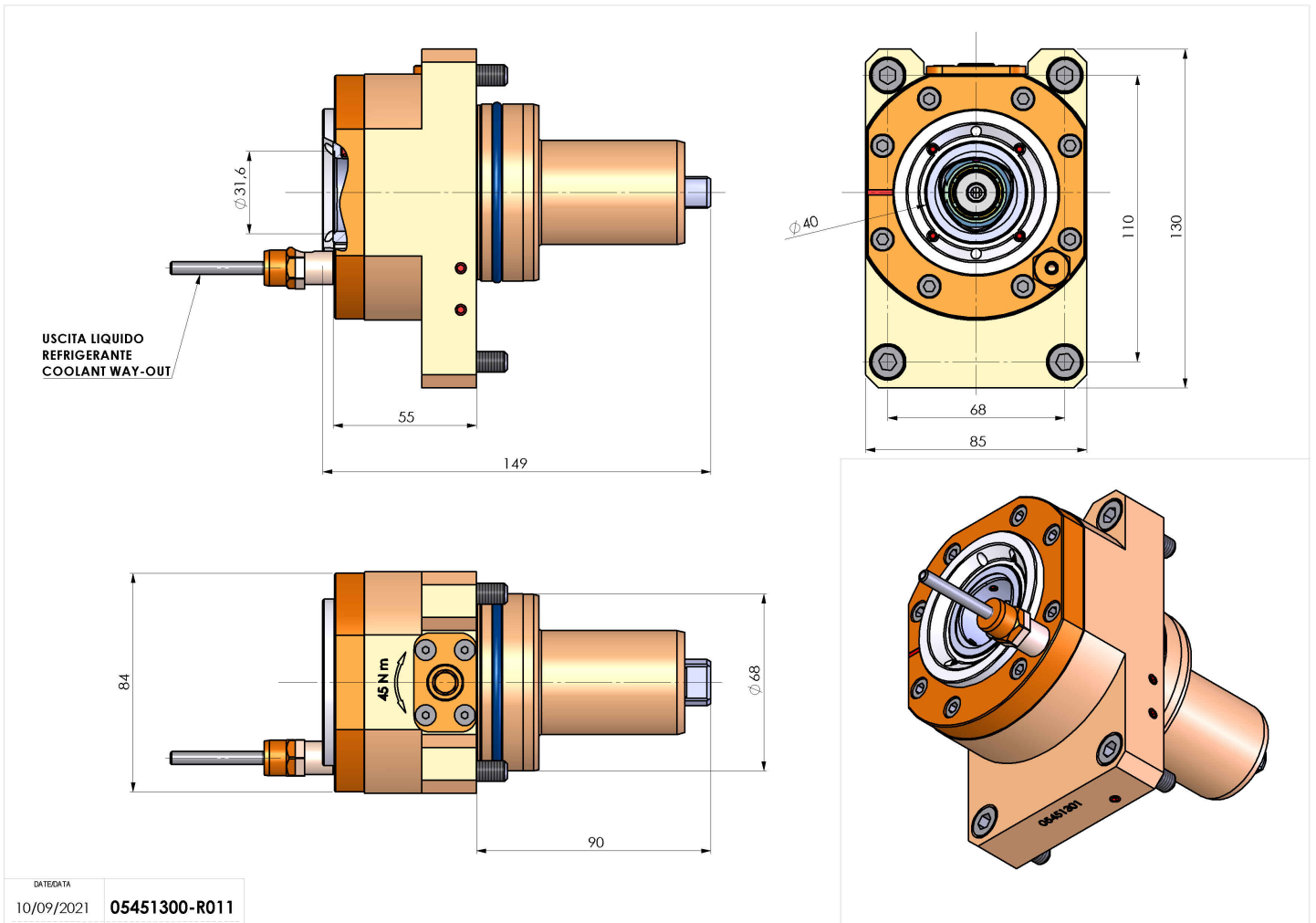


05451300 - LT-S D68 C40 HS H55

Type	LT-S Tool holder straight
Mounting	CYLINDRICAL SHANK 68
Tool output	Polygonal shank C40 ISO 26623-1
Coolant	External coolant
Direction of rotation	r1 r2
Max speed [rpm]	10000
Max torque [Nm]	70
Ratio	1:1
H [mm]	55
Accessories	N.A.
Notes	N.A.
Mounting tips	Not suitable for every application, please check



Always check live tool dimensions on the turret



DATE/DATE: 10/09/2021
05451300-R011

Subject to technical changes