

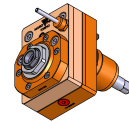
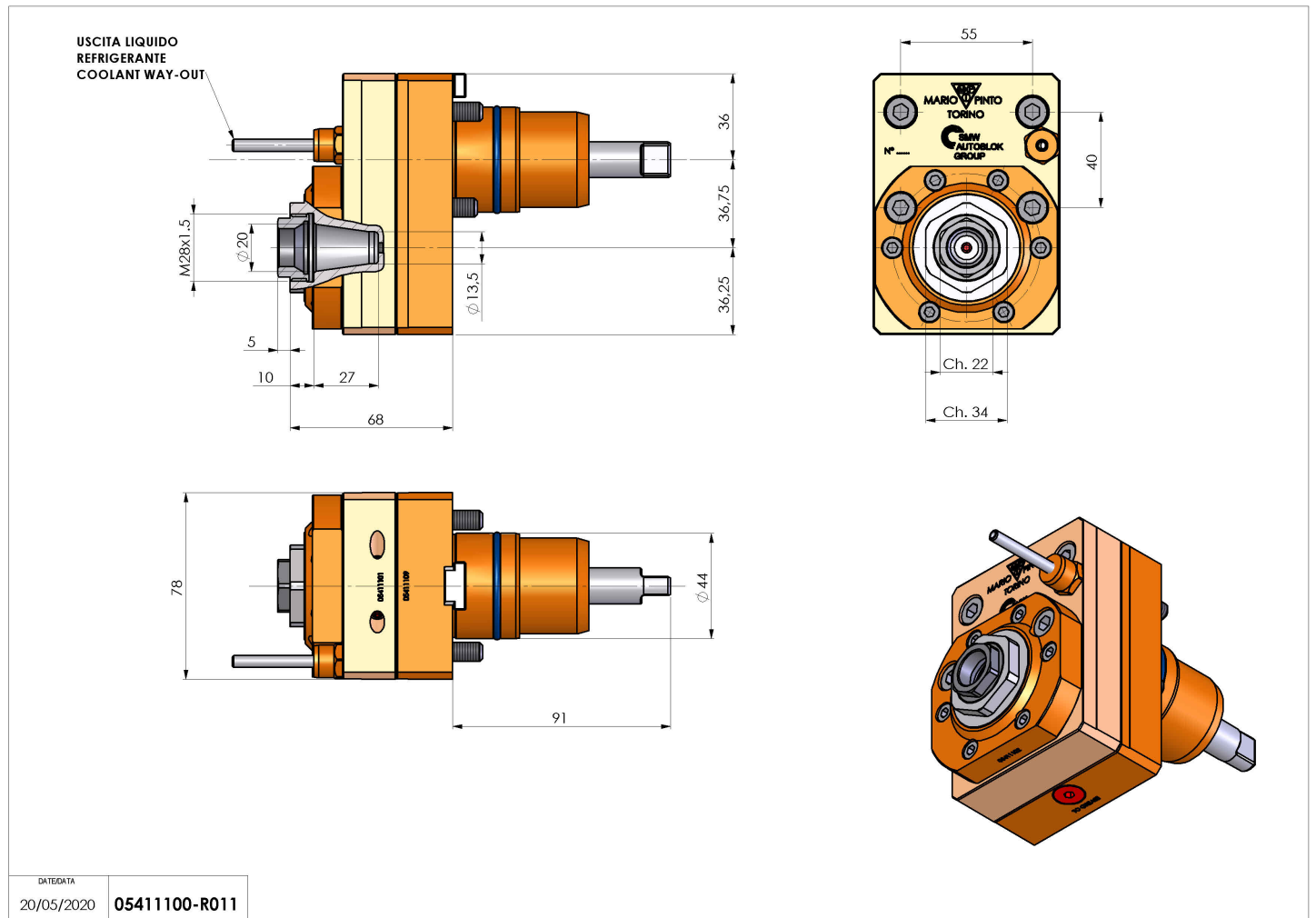


05411100 - LT-S D44 ER20F OFS36.75 1:2 H68

| | |
|------------------------------|---|
| Type | LT-S OFS Tool holder straight offset |
| Mounting | CYLINDRICAL SHANK 44 |
| Tool output | Collet nut ER 20 F - internal nut |
| Coolant | External coolant |
| Offset [mm] | 36,75 |
| Direction of rotation | r1  r2  |
| Max speed [rpm] | in 6000 / out 12000 |
| Max torque [Nm] | in 30 / out 15 |
| Ratio | 1:2 |
| H [mm] | 68 |
| Accessories | N.A. |
| Notes | N.A. |
| Mounting tips | Not suitable for every application, please check |



Always check live tool dimensions on the turret



Subject to technical changes