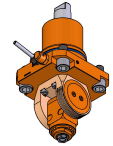
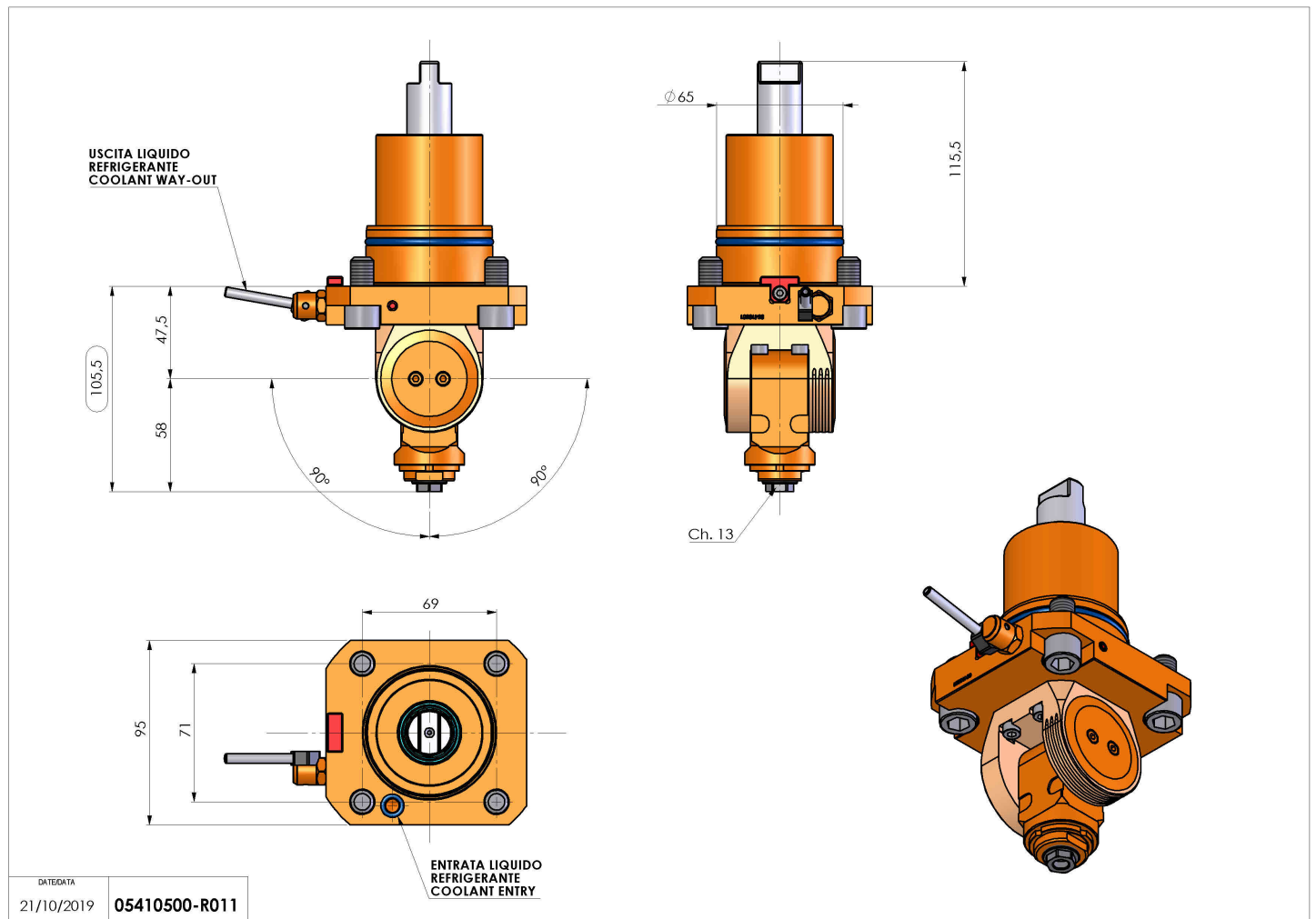


05410500 - LT-T D65 ER11F H48-100

Type	LT-T Tool holder tiltable
Mounting	CYLINDRICAL SHANK 65
Tool output	Collet nut ER 11 F
Coolant	External coolant
Direction of rotation	r1 r2
Max speed [rpm]	6000
Max torque [Nm]	5
Ratio	1:1
H [mm]	48-100
Accessories	N.A.
Notes	N.A.
Mounting tips	Not suitable for every application, please check



Always check live tool dimensions on the turret



DATE/DATE
21/10/2019 **05410500-R011**

Subject to technical changes