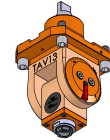
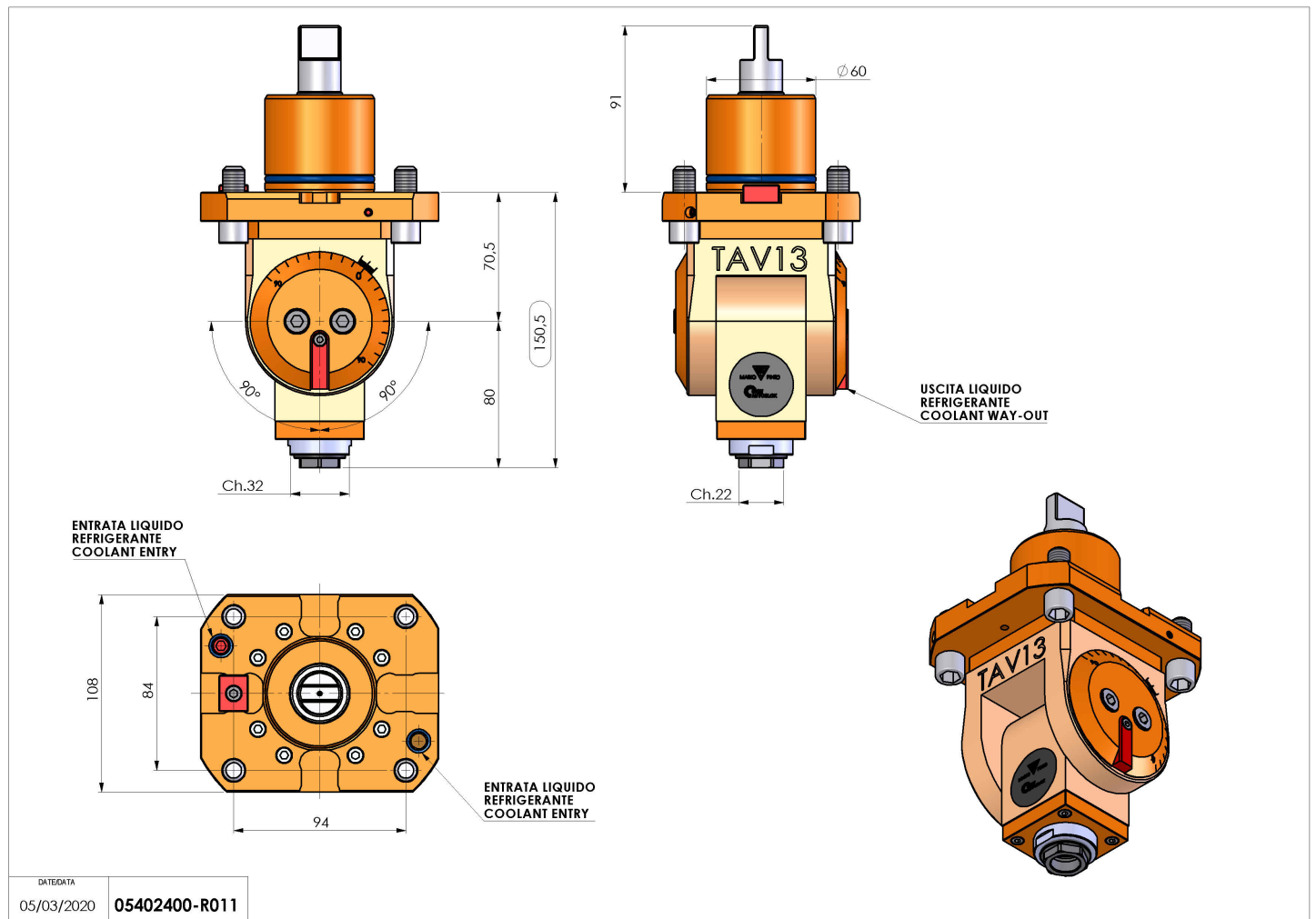


05402400 - LT-T D60 ER20F H70-151

| | |
|-----------------------|--|
| Type | LT-T Tool holder tiltable |
| Mounting | CYLINDRICAL SHANK 60 |
| Tool output | Collet nut ER 20 F - internal nut |
| Coolant | External coolant |
| Direction of rotation | r1 ↻ r2 ↻ |
| Max speed [rpm] | 6000 |
| Max torque [Nm] | 20 |
| Ratio | 1:1 |
| H [mm] | 70-151 |
| Accessories | N.A. |
| Notes | N.A. |
| Mounting tips | Not suitable for every application, please check |



Always check live tool dimensions on the turret



DATE/DATE 05/03/2020 05402400-R011

Subject to technical changes