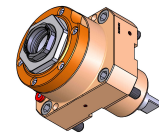
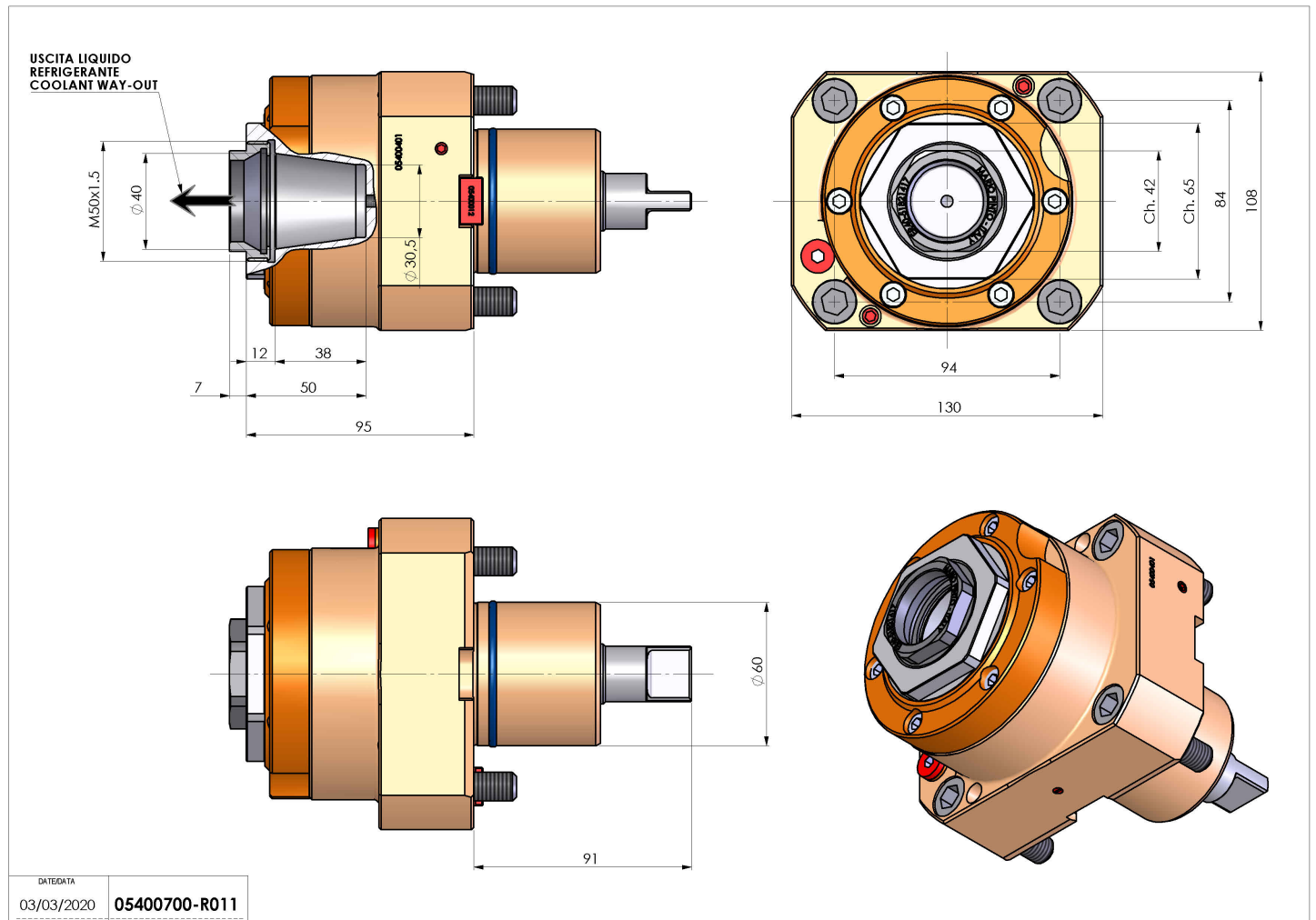


05400700 - LT-S D60 ER40F HRF H95

| | |
|------------------------------|--|
| Type | LT-S Tool holder straight |
| Mounting | CYLINDRICAL SHANK 60 |
| Tool output | Collet nut ER 40 F - internal nut |
| Coolant | HP Internal coolant |
| Direction of rotation | r1 r2 |
| Max speed [rpm] | 6000 |
| Max torque [Nm] | 70 |
| Ratio | 1:1 |
| H [mm] | 95 |
| Max pressure [bar] | 70 |
| Accessories | N.A. |
| Notes | N.A. |
| Mounting tips | Not suitable for every application, please check |



Always check live tool dimensions on the turret



Subject to technical changes