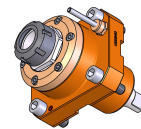
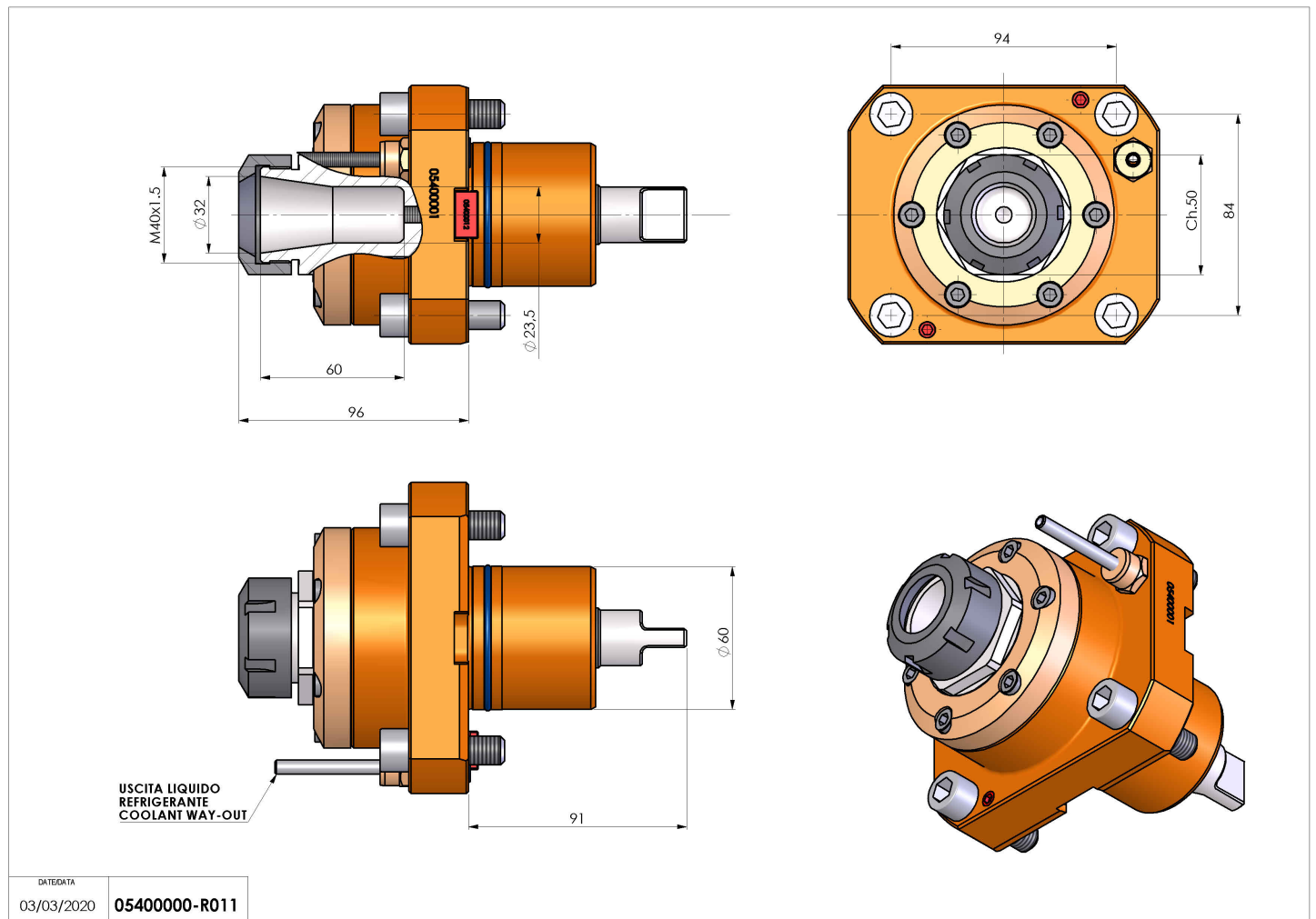


05400000 - LT-S D60 ER32 H96

| | |
|------------------------------|--|
| Type | LT-S Tool holder straight |
| Mounting | CYLINDRICAL SHANK 60 |
| Tool output | Collet nut ER 32 |
| Coolant | External coolant |
| Direction of rotation | r1 r2 |
| Max speed [rpm] | 6000 |
| Max torque [Nm] | 70 |
| Ratio | 1:1 |
| H [mm] | 96 |
| Accessories | N.A. |
| Notes | N.A. |
| Mounting tips | Not suitable for every application, please check |



Always check live tool dimensions on the turret



| | | |
|-----------|------------|---------------|
| DATE/DATE | 03/03/2020 | 05400000-R011 |
|-----------|------------|---------------|

Subject to technical changes