
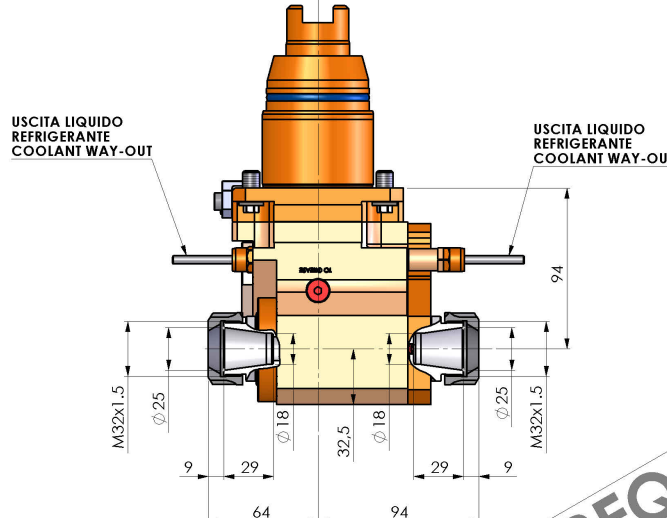


## 05385800 - LT-A2H D65 I:60 DBL ER25 H94

<b>Type</b>	LT-A2 H DBL Tool holder angle 90° double horizontal
<b>Mounting</b>	CYLINDRICAL SHANK 65
<b>Tool output</b>	Collet nut ER 25
<b>Coolant</b>	External coolant
<b>Direction of rotation</b>	
<b>Max speed [rpm]</b>	6000
<b>Max torque [Nm]</b>	40
<b>Ratio</b>	1:1
<b>H [mm]</b>	94
<b>H1 [mm]</b>	32.5
<b>Accessories</b>	N.A.
<b>Notes</b>	N.A.
<b>Mounting tips</b>	Not suitable for every application, please check



Always check live tool dimensions on the turret

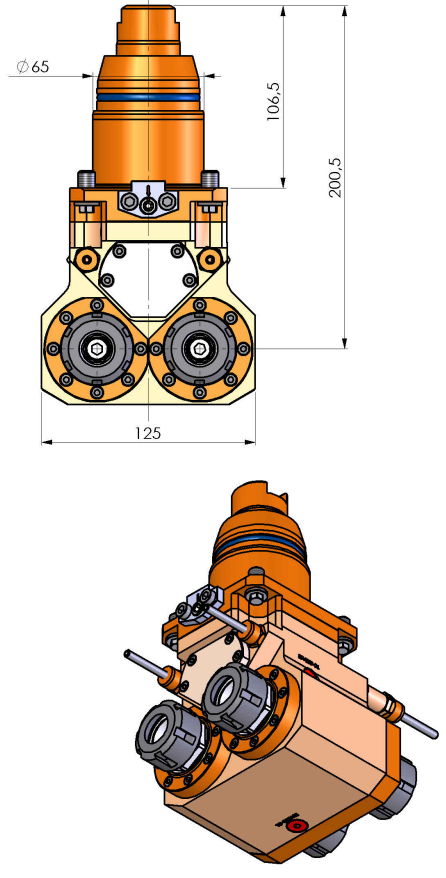


USCITA LIQUIDO REFRIGERANTE  
COOLANT WAY-OUT

USCITA LIQUIDO REFRIGERANTE  
COOLANT WAY-OUT

ENTRATA LIQUIDO REFRIGERANTE  
COOLANT ENTRY

ENTRATA LIQUIDO REFRIGERANTE  
COOLANT ENTRY



Ø 65

106,5

200,5

125

60

72

60

78

158

94

32,5

Ø 25

Ø 18

M32x1,5

9

29

64

94

ON REQUEST

ON REQUEST

DATE/DATA	21/05/2021	05385800-R011
-----------	------------	---------------

Subject to technical changes