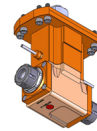
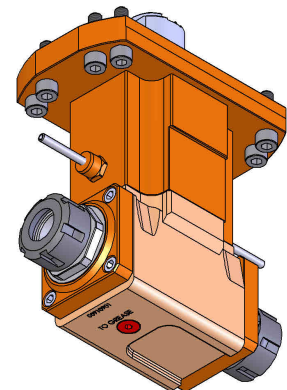
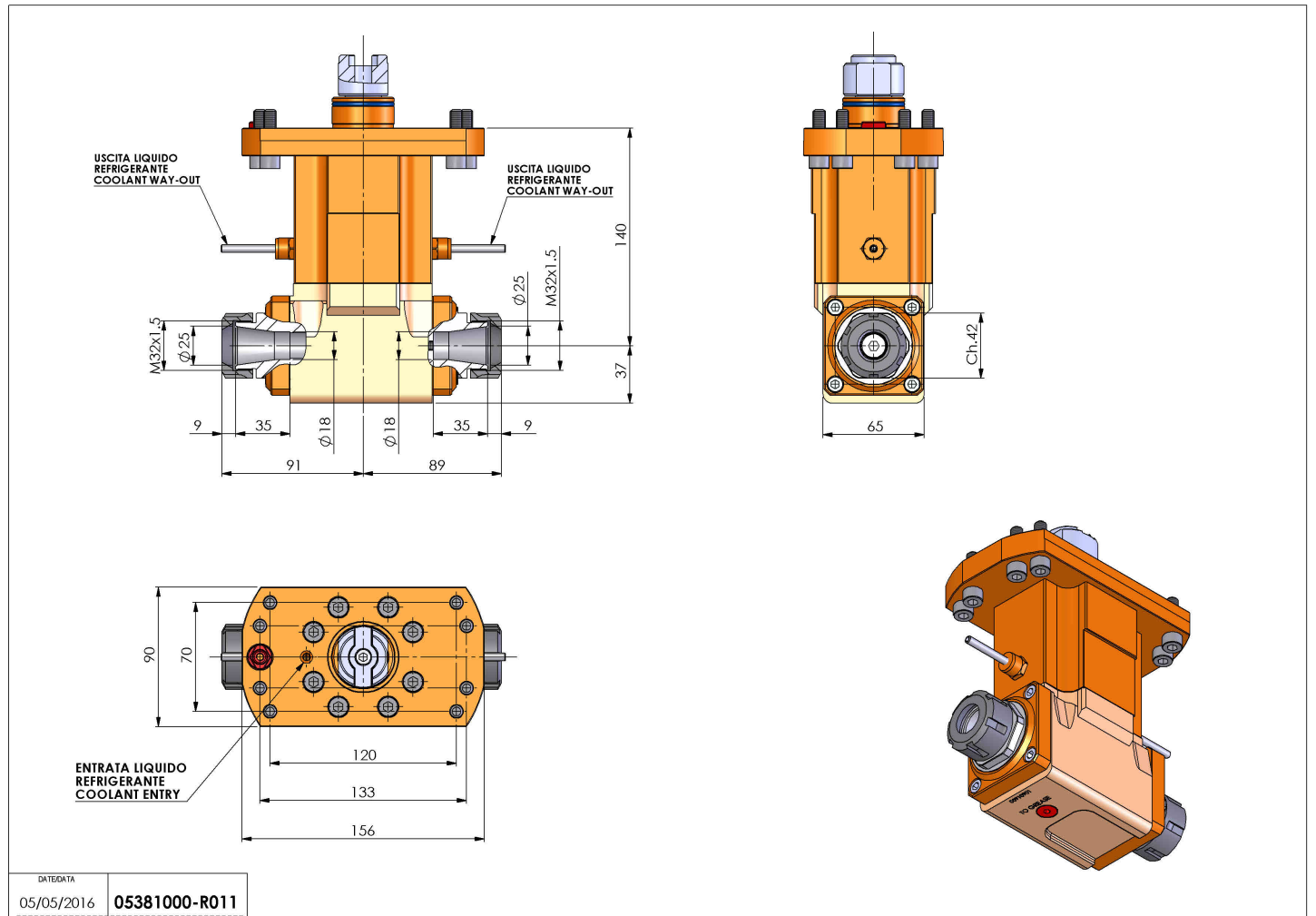


05381000 - LT-A D40 ER25-25 2:1 H140 TG

| | |
|-----------------------|--|
| Type | LT-A DBL Tool holder double angle 90° |
| Mounting | CYLINDRICAL SHANK 40 |
| Tool output | Collet nut ER 25 |
| Coolant | External coolant |
| Direction of rotation | r1 ↻ r2 ↻ r3 ↻ |
| Max speed [rpm] | 6000 |
| Max torque [Nm] | 40 |
| Ratio | 2:1 |
| H [mm] | 140 |
| H1 [mm] | 37 |
| Accessories | N.A. |
| Notes | N.A. |
| Mounting tips | Not suitable for every application, please check |



Always check live tool dimensions on the turret



Subject to technical changes

| | |
|-----------|---------------|
| DATE/DATA | 05/05/2016 |
| | 05381000-R011 |