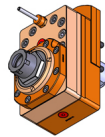
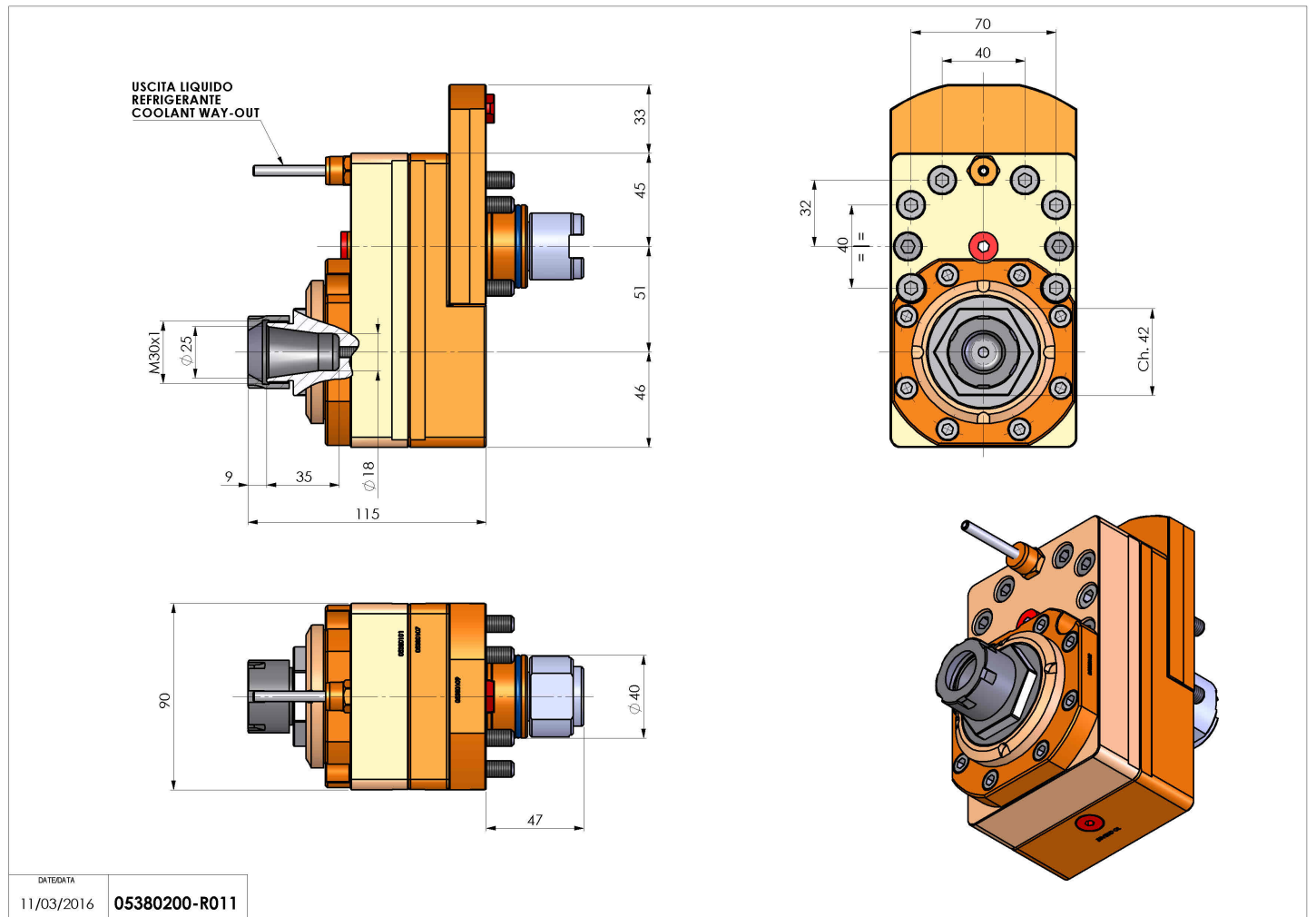


05380200 - LT-S D40 ER25M OF51 H115 TG

| | |
|-----------------------|--|
| Type | LT-S OFS Tool holder straight offset |
| Mounting | CYLINDRICAL SHANK 40 |
| Tool output | Collet nut ER 25 Mini |
| Coolant | External coolant |
| Offset [mm] | 51 |
| Direction of rotation | r1 ↻ r2 ↻ |
| Max speed [rpm] | 6000 |
| Max torque [Nm] | 60 |
| Ratio | 1:1 |
| H [mm] | 115 |
| Accessories | N.A. |
| Notes | N.A. |
| Mounting tips | Not suitable for every application, please check |



Always check live tool dimensions on the turret



DATE/DATE 11/03/2016 05380200-R011

Subject to technical changes