

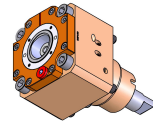
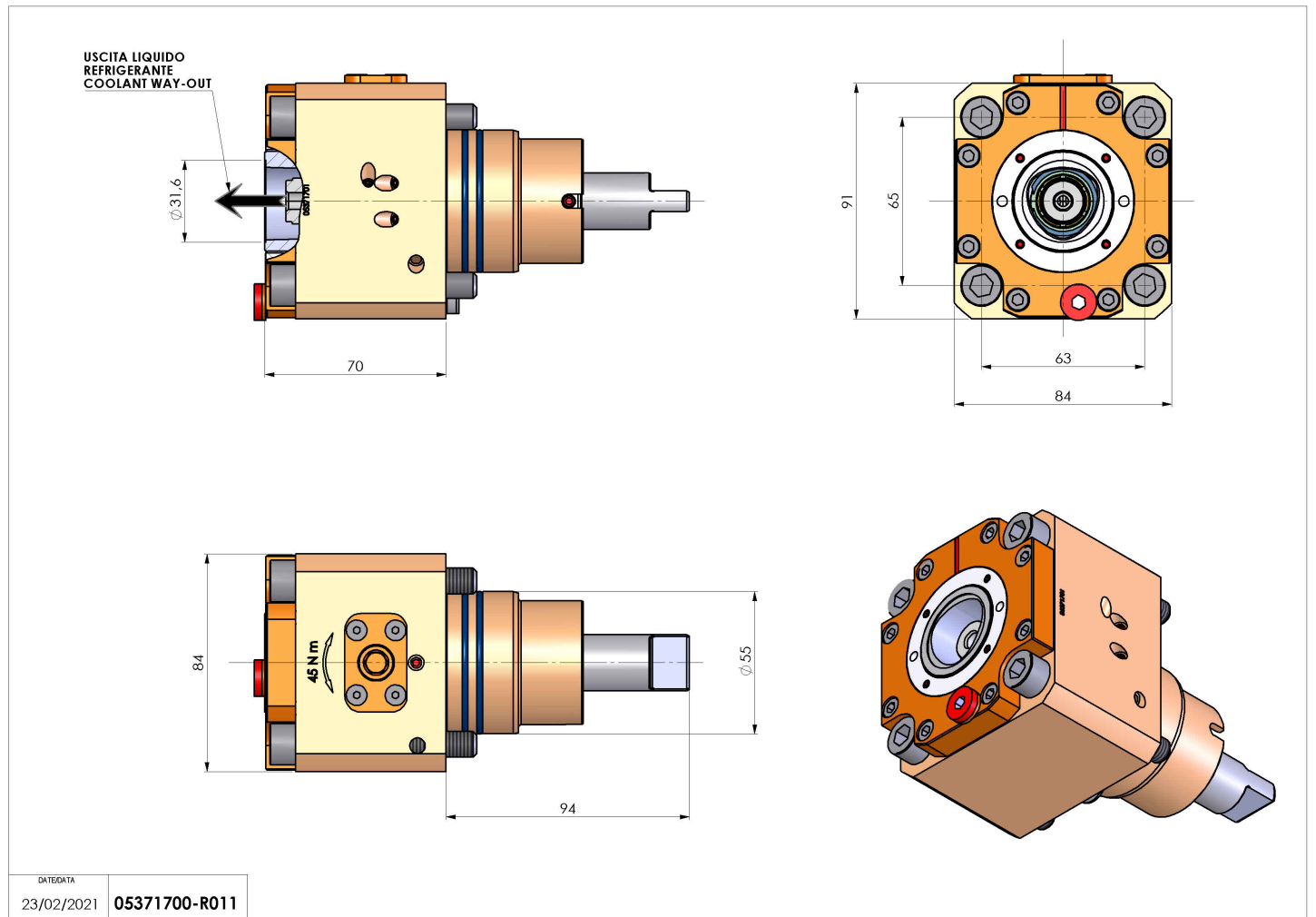


05371700 - LT-S D55 C40 HRF H70

| | |
|------------------------------|---|
| Type | LT-S Tool holder straight |
| Mounting | CYLINDRICAL SHANK 55 |
| Tool output | Polygonal shank C40 ISO 26623-1 |
| Coolant | HP Internal coolant |
| Direction of rotation | r1  r2  |
| Max speed [rpm] | 6000 |
| Max torque [Nm] | 63 |
| Ratio | 1:1 |
| H [mm] | 70 |
| Max pressure [bar] | 70 |
| Accessories | N.A. |
| Notes | N.A. |
| Mounting tips | Not suitable for every application, please check |



Always check live tool dimensions on the turret



DATE/DATE
23/02/2021 05371700-R011

Subject to technical changes