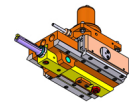
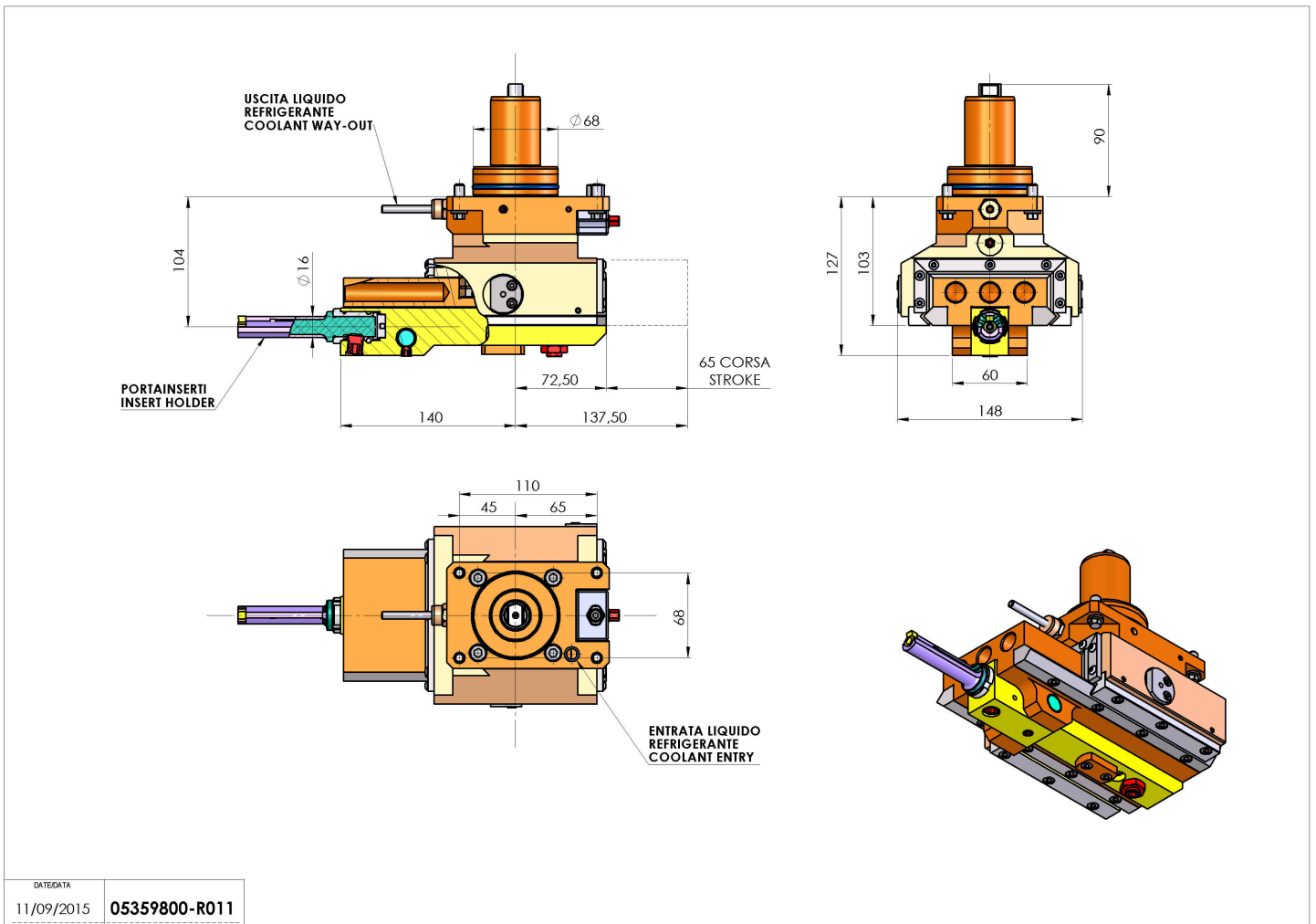


05359800 - LT-A ST65 D68 C16CR-AY H104 MZ

Type	LT-A ST Slotting tool 90°
Mounting	CYLINDRICAL SHANK 68
Tool output	Tool diameter 16
Coolant	External coolant
Max speed [rpm]	500
Max torque [Nm]	17,5
Ratio	1:1
Y axis adjustment	SI
Feed pushing [N]	1000
Stroke [mm]	65
Work stroke [mm]	60
Y axis adjust. [mm]	±0,4
H [mm]	104
Accessories	N.A.
Notes	N.A.
Mounting tips	Not suitable for every application, please check



Always check live tool dimensions on the turret



DATE/DATE	11/09/2015
PART NUMBER	05359800-R011

Subject to technical changes