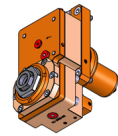
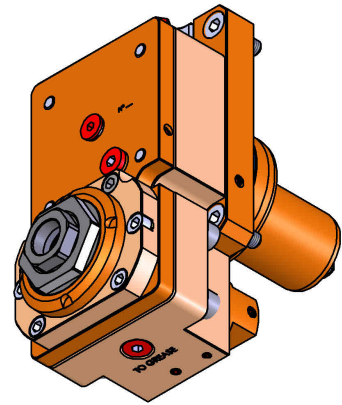
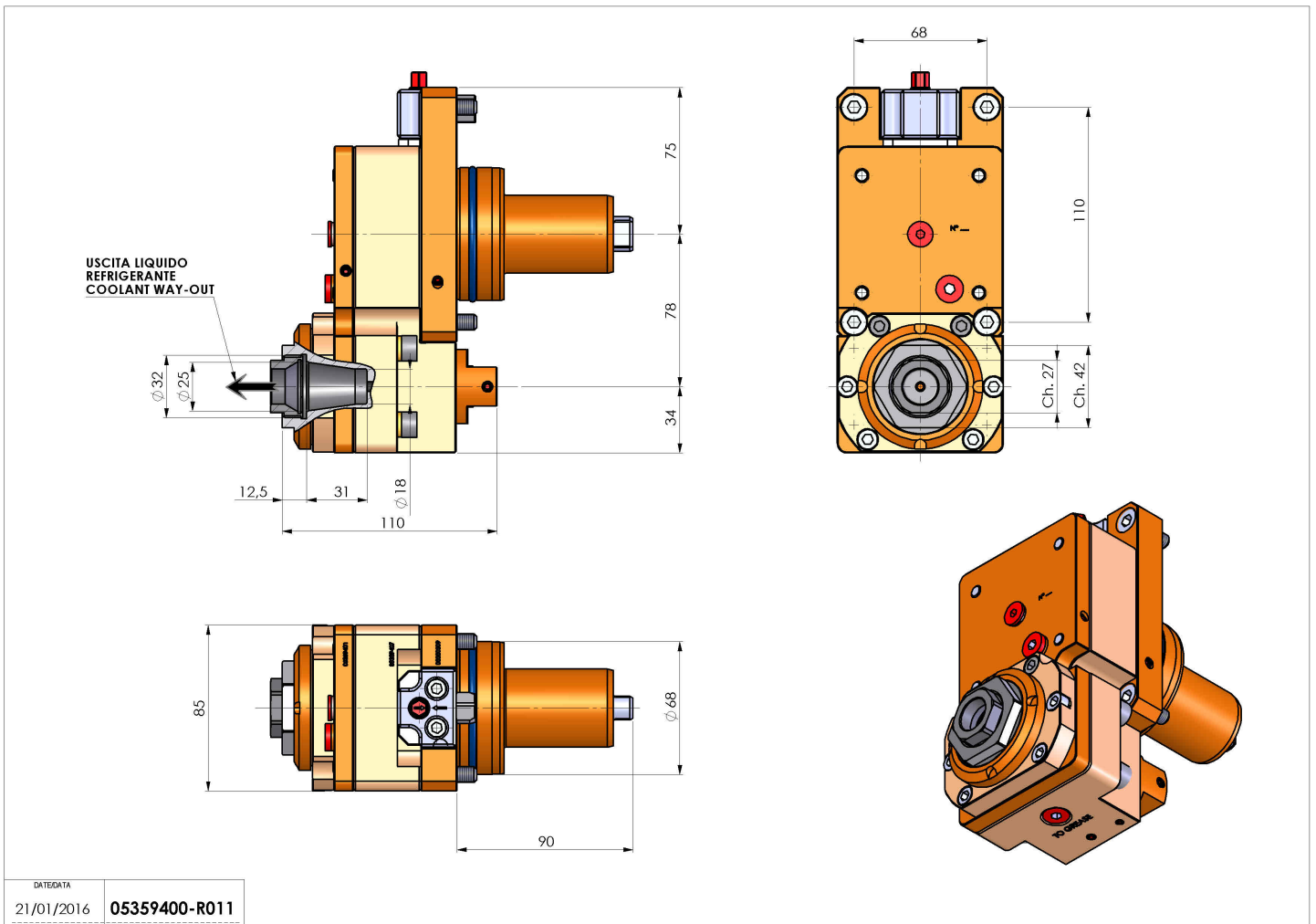


05359400 - LT-S D68 ER25F OFS78 HRF H90

| | |
|------------------------------|--------------------------------------------------|
| Type | LT-S OFS Tool holder straight offset |
| Mounting | CYLINDRICAL SHANK 68 |
| Tool output | Collet nut ER 25 F - internal nut |
| Coolant | HP Internal coolant |
| Offset [mm] | 78 |
| Direction of rotation | r1 ↻ r2 ↻ |
| Max speed [rpm] | 6000 |
| Max torque [Nm] | 50 |
| Ratio | 1:1 |
| H [mm] | 90 |
| Max pressure [bar] | 80 |
| Accessories | N.A. |
| Notes | N.A. |
| Mounting tips | Not suitable for every application, please check |



Always check live tool dimensions on the turret



| | |
|------------|---------------|
| DATE/DATE | 05359400-R011 |
| 21/01/2016 | |

Subject to technical changes