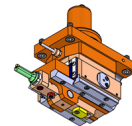
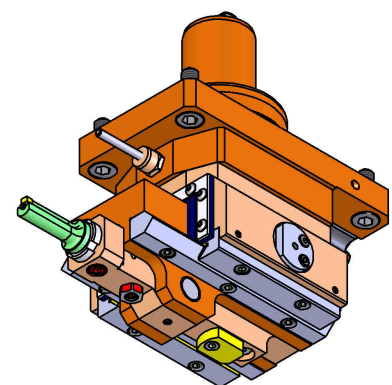
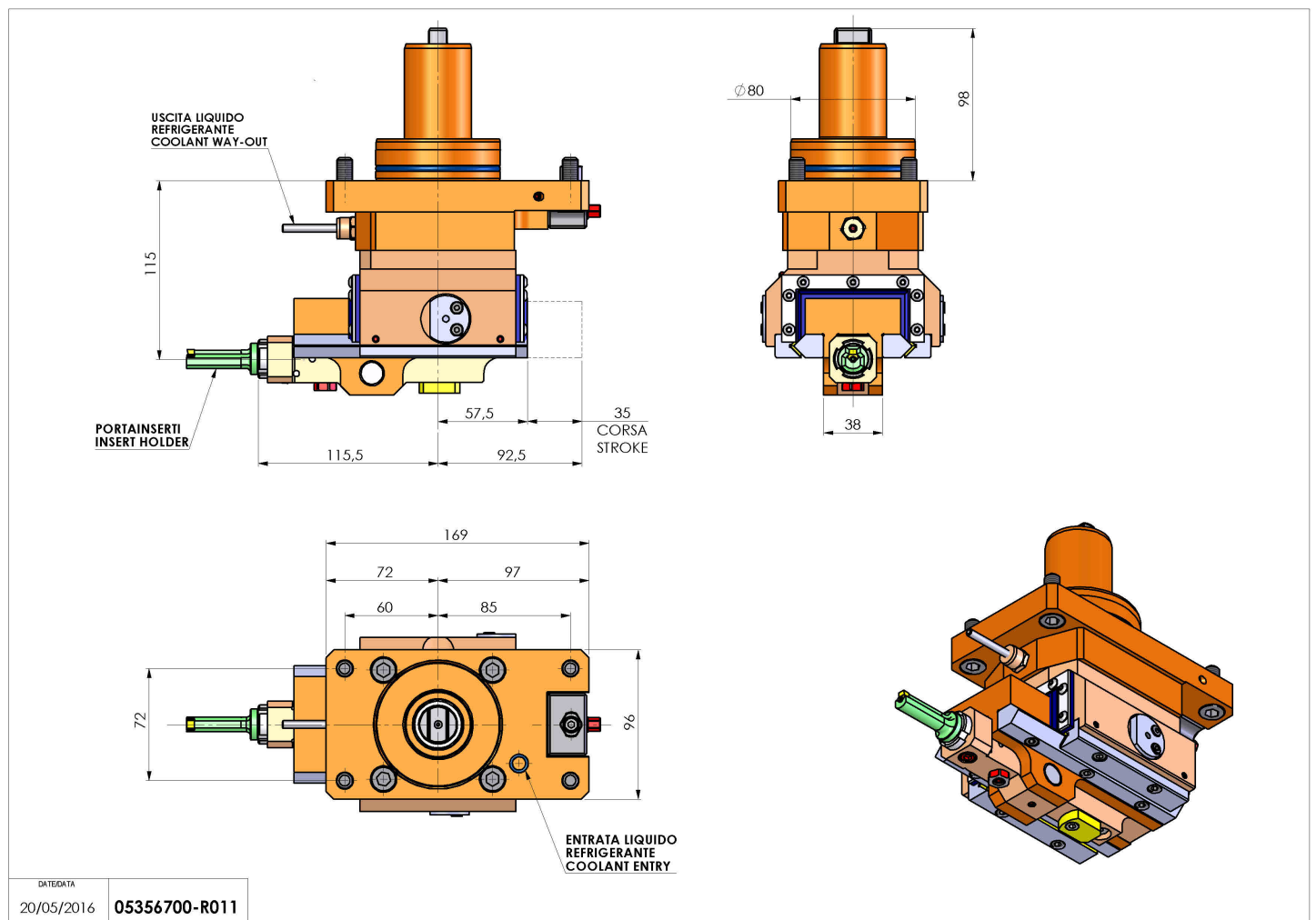


05356700 - LT-A ST35 D80 C12CR-AY H115 MZ

Type	LT-A ST Slotting tool 90°
Mounting	CYLINDRICAL SHANK 80
Tool output	Tool diameter 12
Coolant	External coolant
Max speed [rpm]	700
Ratio	1:1
Y axis adjustment	SI
Stroke [mm]	35
Work stroke [mm]	30
Y axis adjust. [mm]	±0,4
H [mm]	115
Accessories	N.A.
Notes	N.A.
Mounting tips	Not suitable for every application, please check



Always check live tool dimensions on the turret



DATE/DATA
20/05/2016
05356700-R011

Subject to technical changes