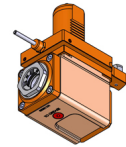


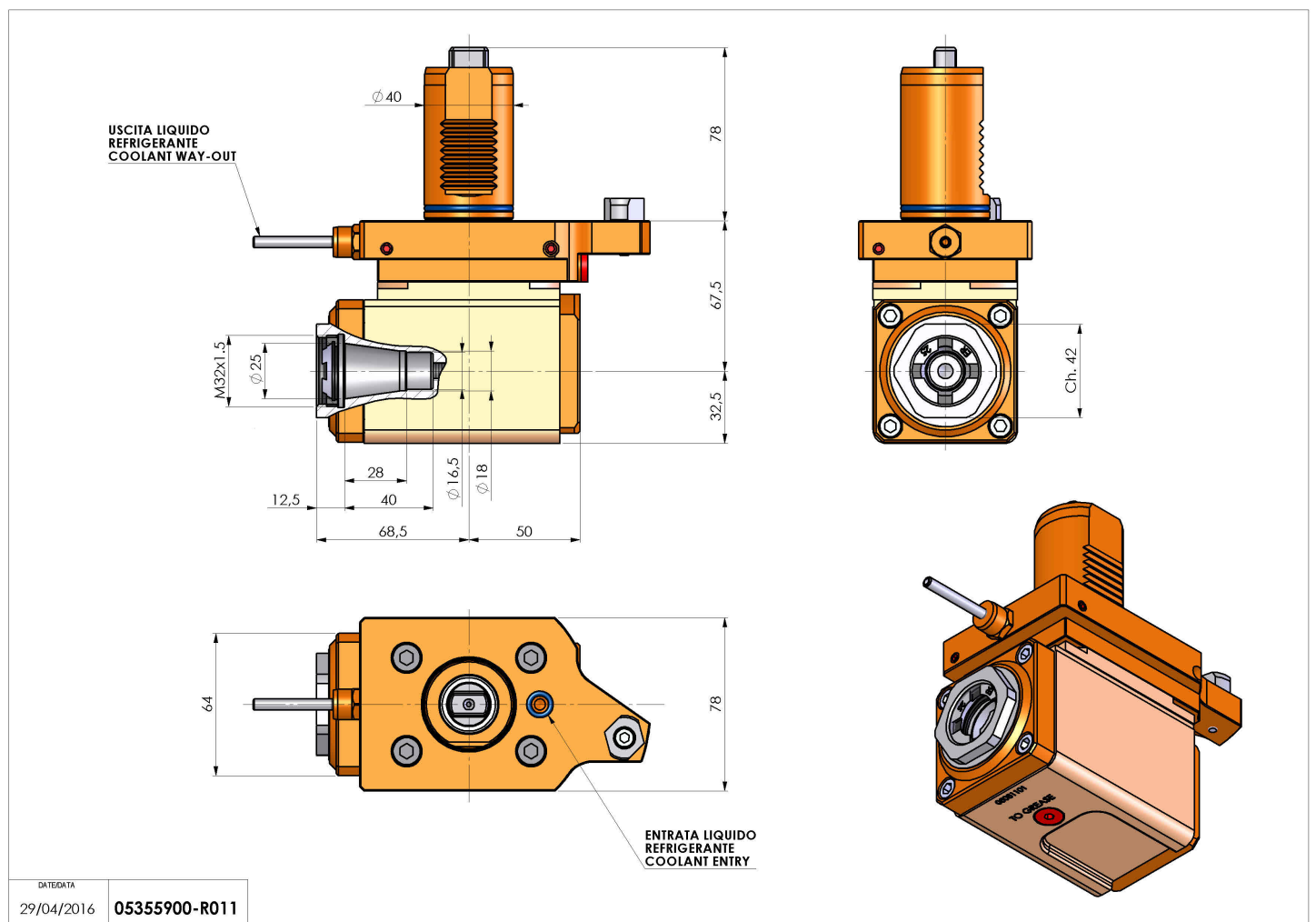
## 05355900 - LT-A VDI40 ER25F R H67.5 MZ

Type	LT SPECIALE Custom tool holder
Mounting	VDI 40
Tool output	Collet nut ER 25 F - internal nut
Coolant	External coolant
Direction of rotation	r1 ↻ r2 ↻
Max speed [rpm]	6000
Max torque [Nm]	63
Ratio	1:1
H [mm]	67,5
H1 [mm]	32,5
Accessories	N.A.
Notes	N.A.
Mounting tips	Not suitable for every application, please check



**ATTENZIONE: VERIFICARE L'ORIENTAMENTO DELLA DENTATURA VDI**

Always check live tool dimensions on the turret



Subject to technical changes

DATE/DATE  
29/04/2016 05355900-R011