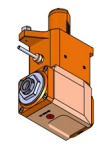


# 05354000 - LT-A VDI40 ER25F R H130 MZ

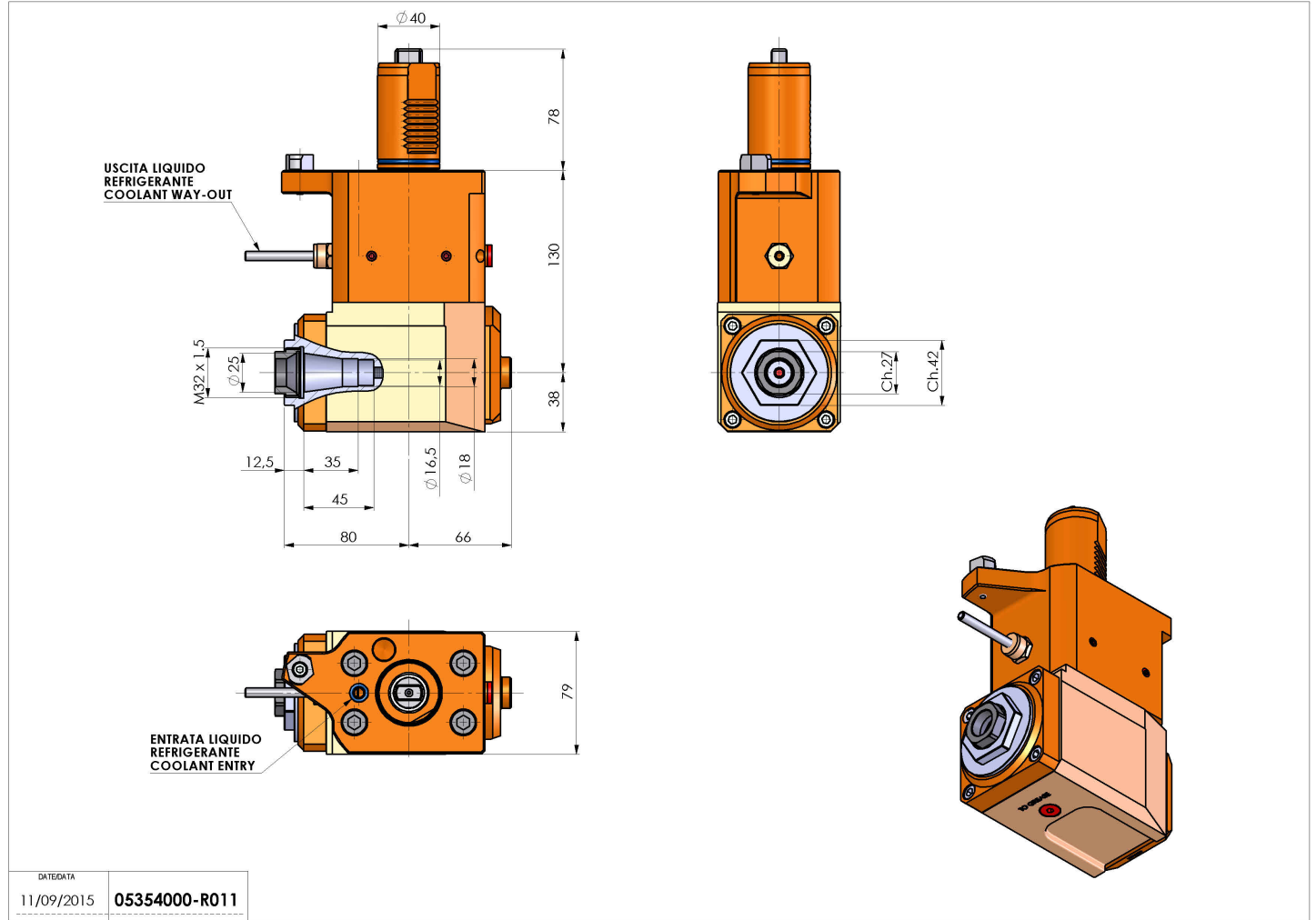
<b>Type</b>	LT-A Tool holder angle 90°
<b>Mounting</b>	VDI 40
<b>Tool output</b>	Collet nut ER 25 F - internal nut
<b>Coolant</b>	External coolant
<b>Direction of rotation</b>	r1  r2
<b>Max speed [rpm]</b>	6000
<b>Max torque [Nm]</b>	63
<b>Ratio</b>	1:1
<b>H [mm]</b>	130
<b>H1 [mm]</b>	38
<b>Accessories</b>	N.A.
<b>Notes</b>	N.A.



**Mounting tips** Not suitable for every application, please check

**ATTENZIONE: VERIFICARE L'ORIENTAMENTO DELLA DENTATURA VDI**

Always check live tool dimensions on the turret



DATE/GRA	11/09/2015
PART NUMBER	05354000-R011

Subject to technical changes