
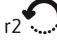
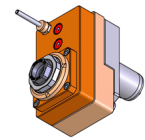


# 05353900 - LT-S VDI40 ER32F OF62 H106 MZ

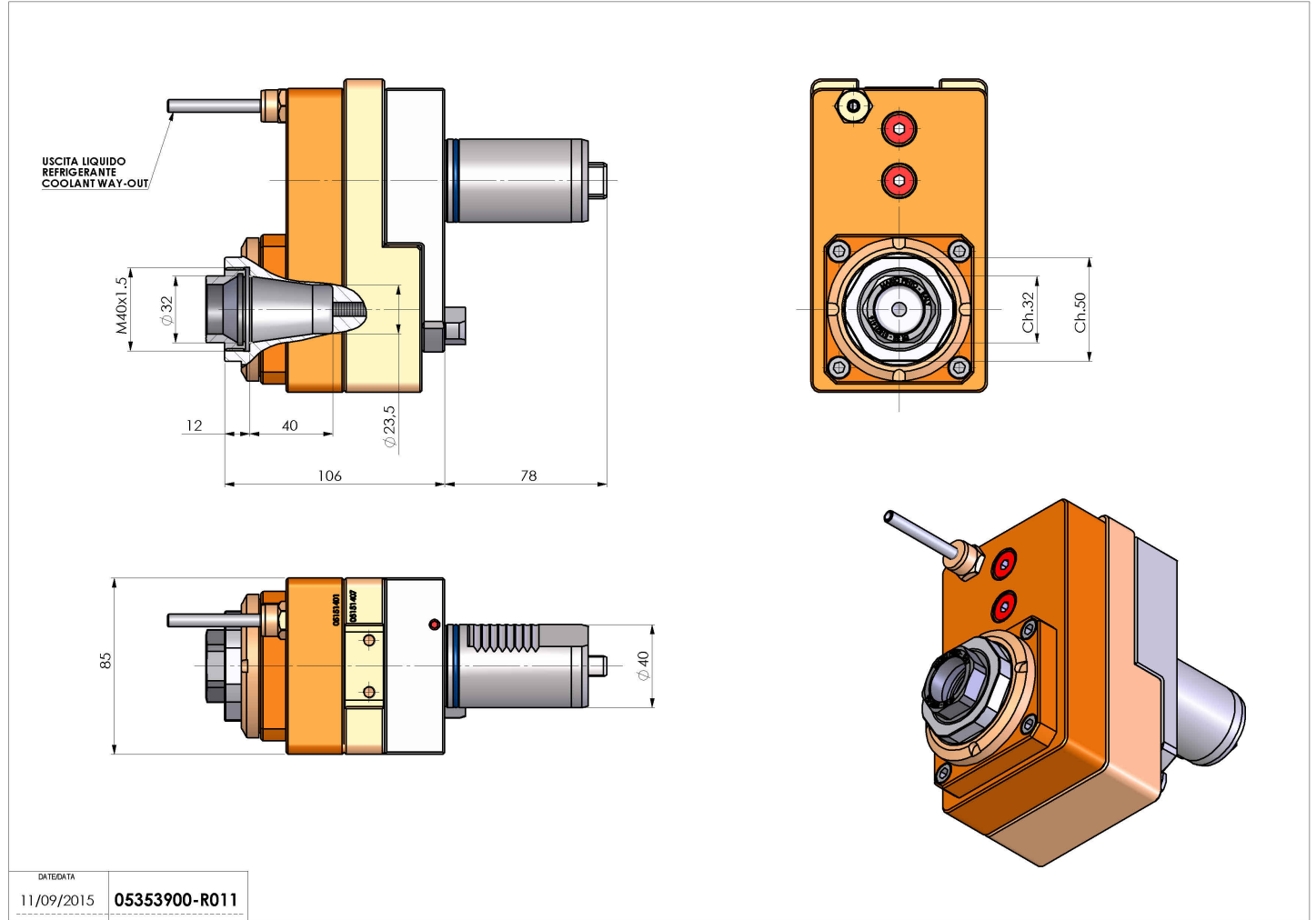
<b>Type</b>	LT-S OFS Tool holder straight offset
<b>Mounting</b>	VDI 40
<b>Tool output</b>	Collet nut ER 32 F - internal nut
<b>Coolant</b>	External coolant
<b>Offset [mm]</b>	62
<b>Direction of rotation</b>	r1  r2 
<b>Max speed [rpm]</b>	6000
<b>Max torque [Nm]</b>	63
<b>Ratio</b>	1:1
<b>H [mm]</b>	106
<b>Accessories</b>	N.A.
<b>Notes</b>	N.A.



**Mounting tips** Not suitable for every application, please check

**ATTENZIONE: VERIFICARE L'ORIENTAMENTO DELLA DENTATURA VDI**

Always check live tool dimensions on the turret



Subject to technical changes