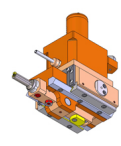


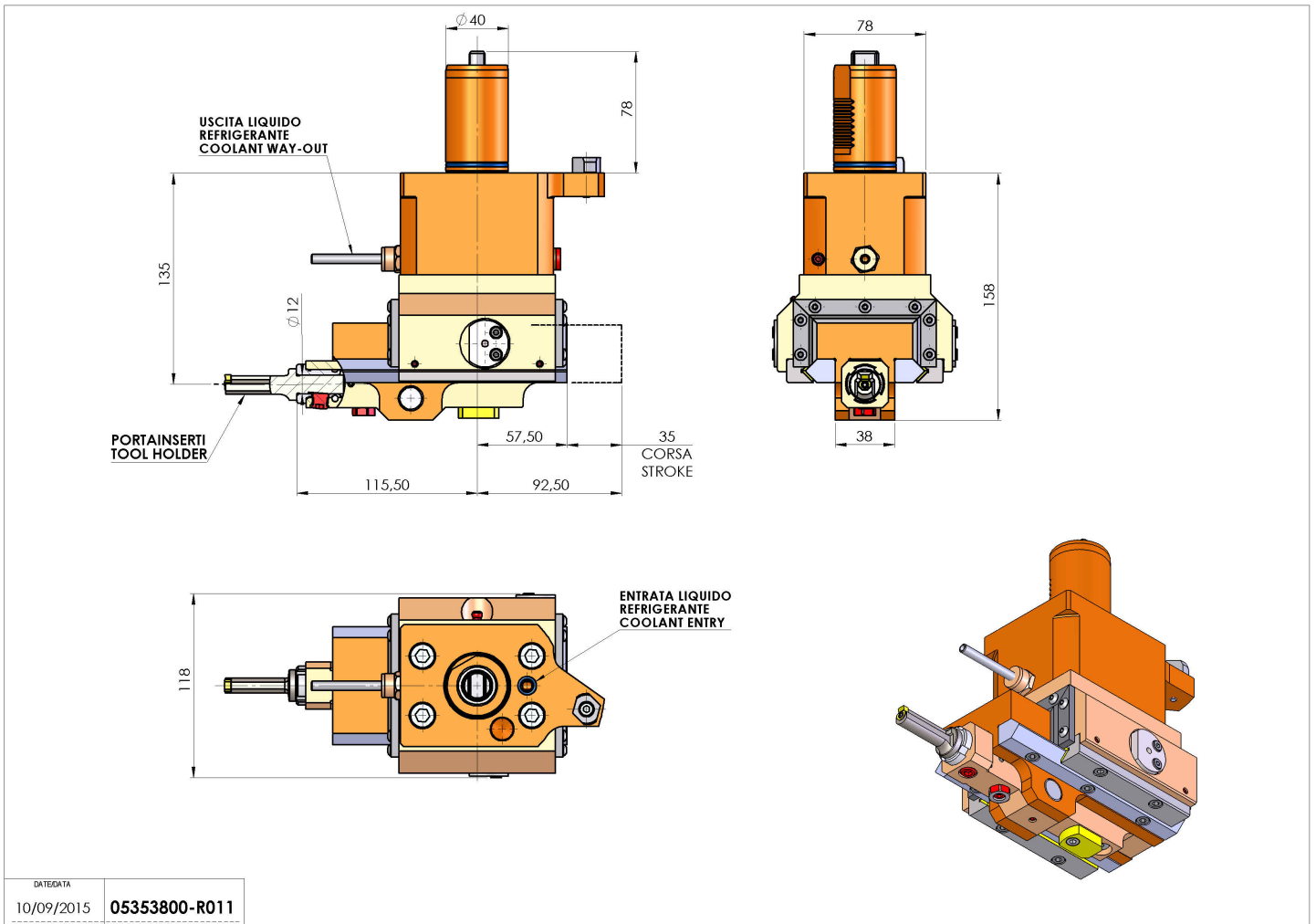
## 05353800 - LT-A ST35VDI40 C12CR-AY H135MZ

<b>Type</b>	LT-A ST Slotting tool 90°
<b>Mounting</b>	VDI 40
<b>Tool output</b>	Tool diameter 12
<b>Coolant</b>	External coolant
<b>Max speed [rpm]</b>	700
<b>Max torque [Nm]</b>	17,5
<b>Ratio</b>	1:1
<b>Y axis adjustment</b>	SI
<b>Feed pushing [N]</b>	1000
<b>Stroke [mm]</b>	35
<b>Work stroke [mm]</b>	30
<b>Y axis adjust. [mm]</b>	±0,4
<b>H [mm]</b>	135
<b>Accessories</b>	N.A.
<b>Notes</b>	N.A.
<b>Mounting tips</b>	Not suitable for every application, please check



**ATTENZIONE: VERIFICARE L'ORIENTAMENTO DELLA DENTATURA VDI**

Always check live tool dimensions on the turret



DATEGATA  
10/09/2015 **05353800-R011**

Subject to technical changes