
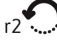
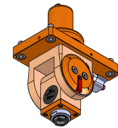
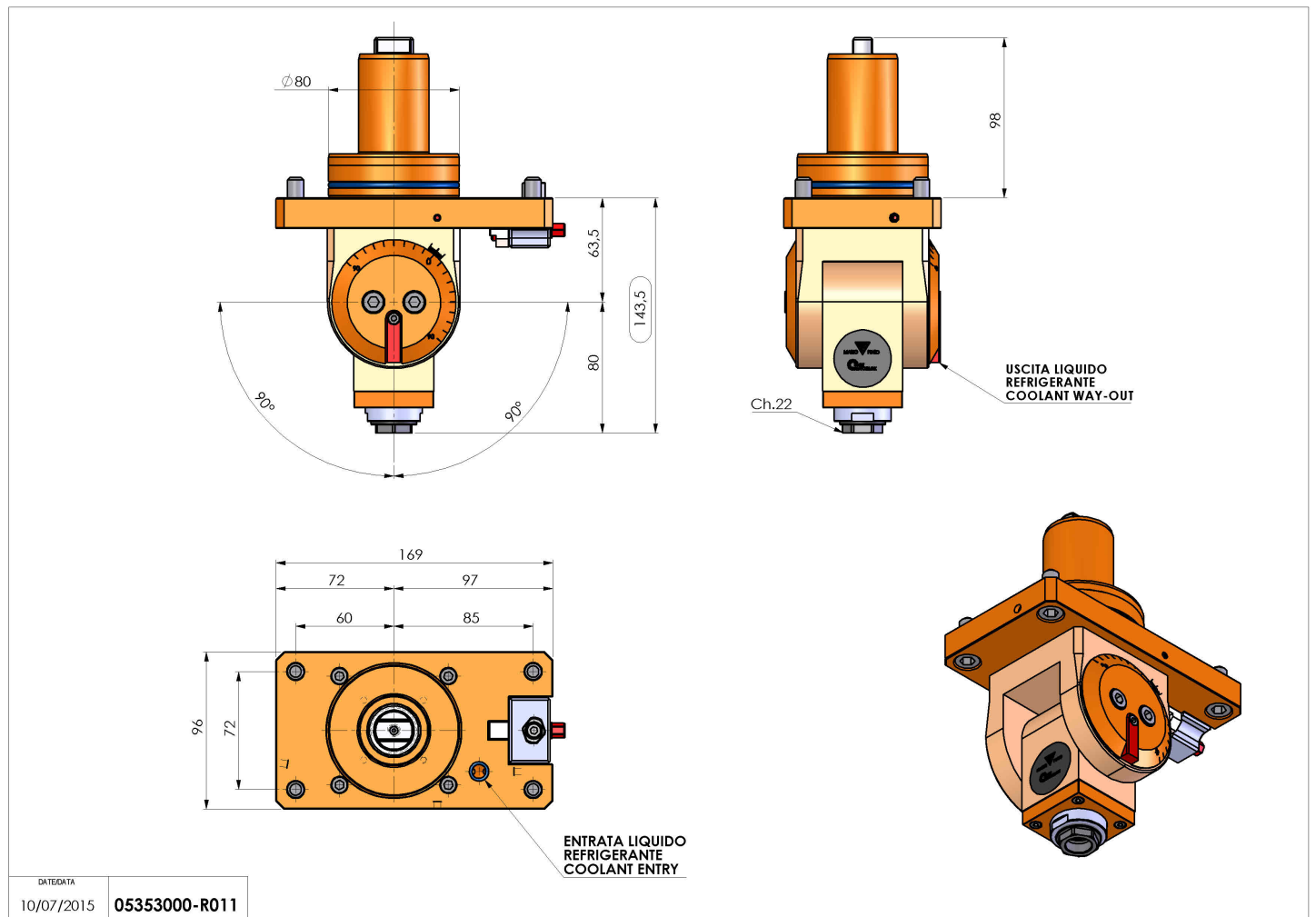


05353000 - LT-T D80 ER20F H64-144 MZ

Type	LT-T Tool holder tiltable
Mounting	CYLINDRICAL SHANK 80
Tool output	Collet nut ER 20 F - internal nut
Coolant	External coolant
Direction of rotation	r1  r2 
Max speed [rpm]	6000
Max torque [Nm]	20
Ratio	1:1
H [mm]	63,5-143,5
Accessories	N.A.
Notes	N.A.
Mounting tips	Not suitable for every application, please check



Always check live tool dimensions on the turret



Subject to technical changes

DATE/DATE
10/07/2015 05353000-R011