

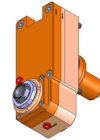
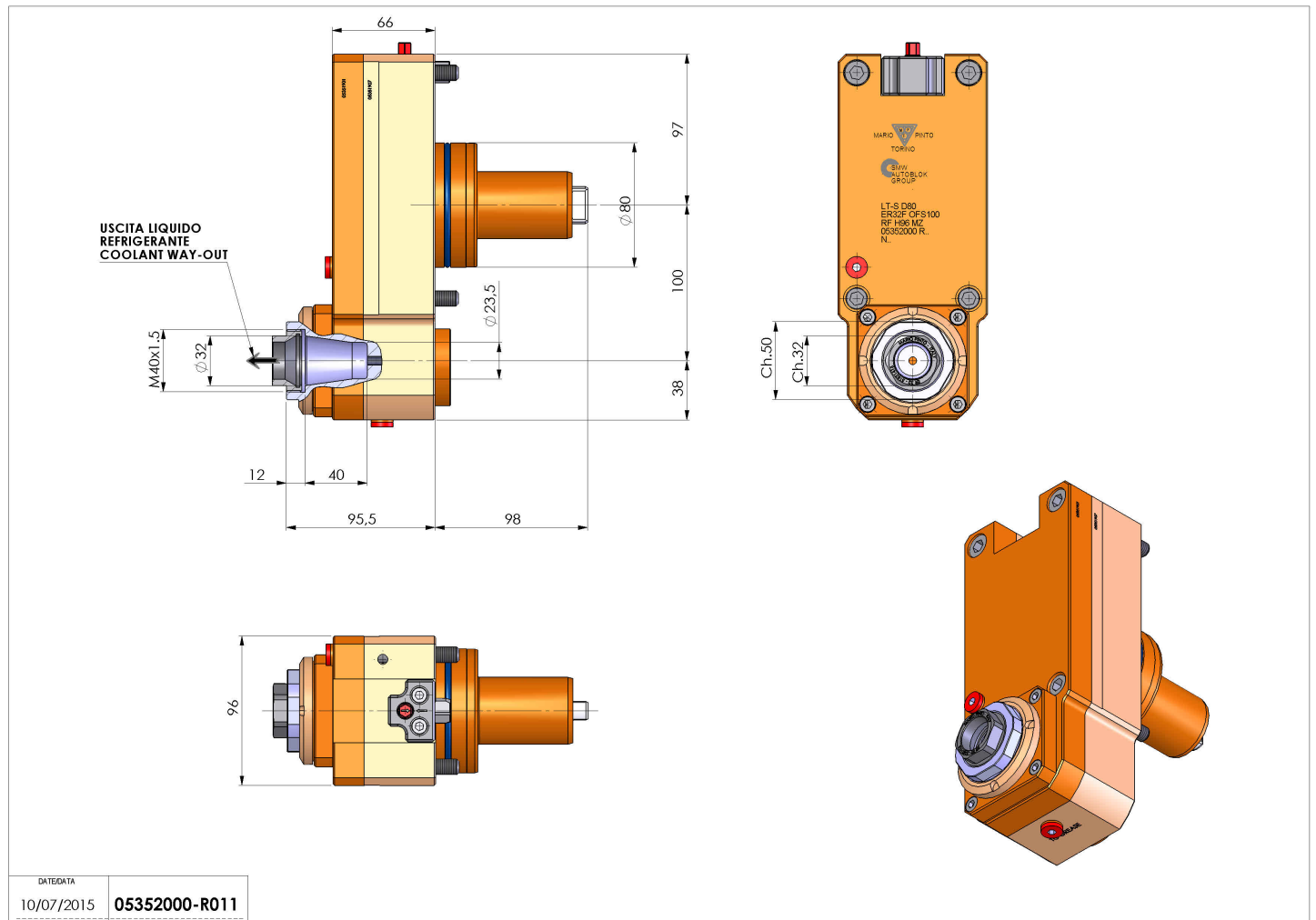


# 05352000 - LT-S D80 ER32F OFS100 RF H96MZ

|                              |   |
|------------------------------|---|
| <b>Type</b>                  | LT-S OFS<br>Tool holder straight offset   |
| <b>Mounting</b>              | CYLINDRICAL SHANK 80  |
| <b>Tool output</b>           | Collet nut ER 32 F - internal nut   |
| <b>Coolant</b>               | Internal coolant  |
| <b>Offset [mm]</b>           | 100   |
| <b>Direction of rotation</b> | r1  r2  |
| <b>Max speed [rpm]</b>       | 6000  |
| <b>Max torque [Nm]</b>       | 80  |
| <b>Ratio</b>                 | 1:1   |
| <b>H [mm]</b>                | 95,5  |
| <b>Accessories</b>           | N.A.  |
| <b>Notes</b>                 | N.A.  |
| <b>Mounting tips</b>         | Not suitable for every application, please check  |



Always check live tool dimensions on the turret



Subject to technical changes