

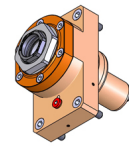
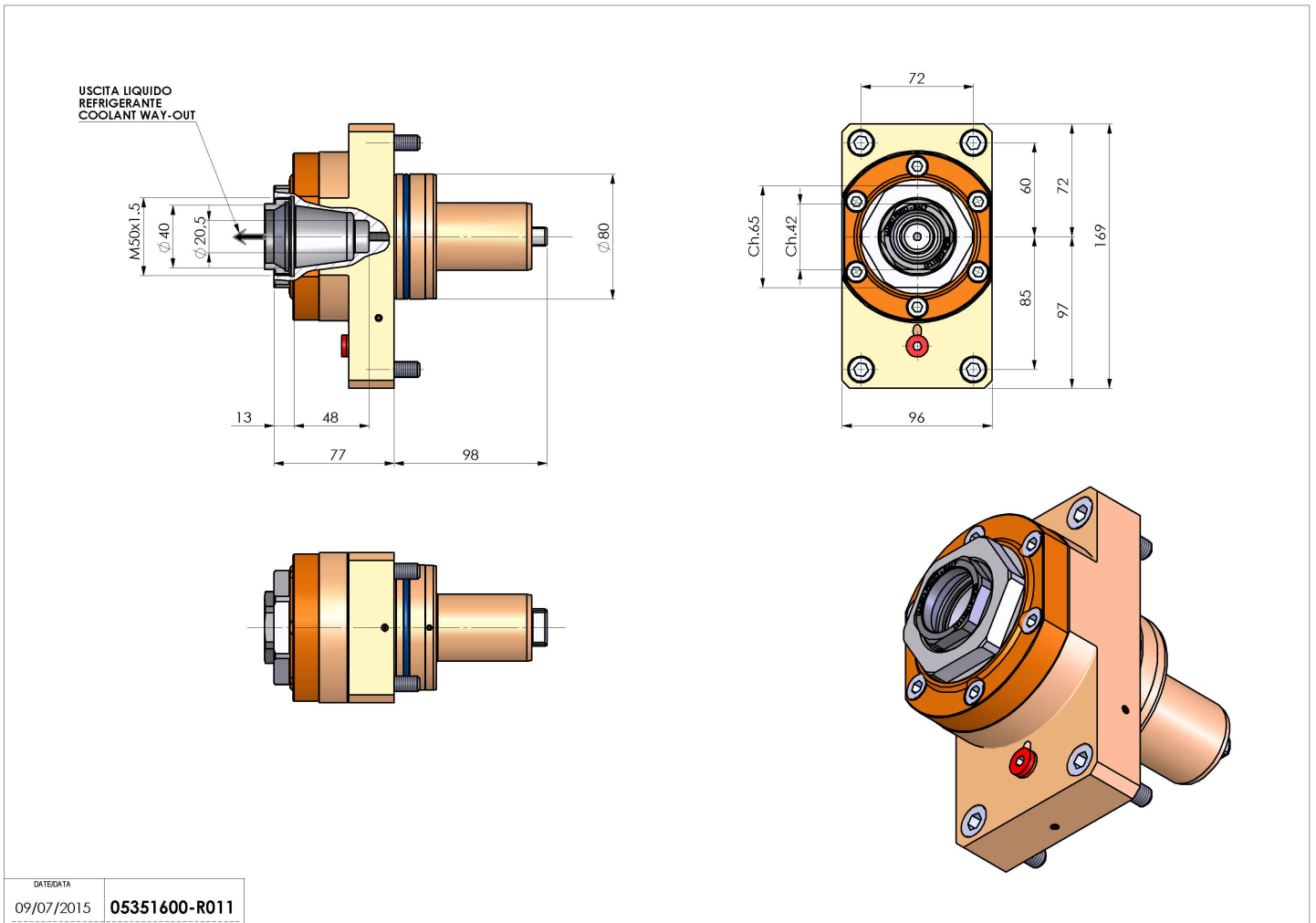


05351600 - LT-S D80 ER40F RF H77 MZ

Type	LT-S Tool holder straight
Mounting	CYLINDRICAL SHANK 80
Tool output	Collet nut ER 40 F - internal nut
Coolant	Internal coolant
Direction of rotation	r1  r2 
Max speed [rpm]	6000
Max torque [Nm]	80
Ratio	1:1
H [mm]	77
Accessories	
Notes	N.A.
Mounting tips	Not suitable for every application, please check



Always check live tool dimensions on the turret



DATE/DATE	09/07/2015
	05351600-R011

Subject to technical changes