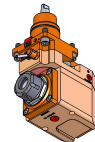
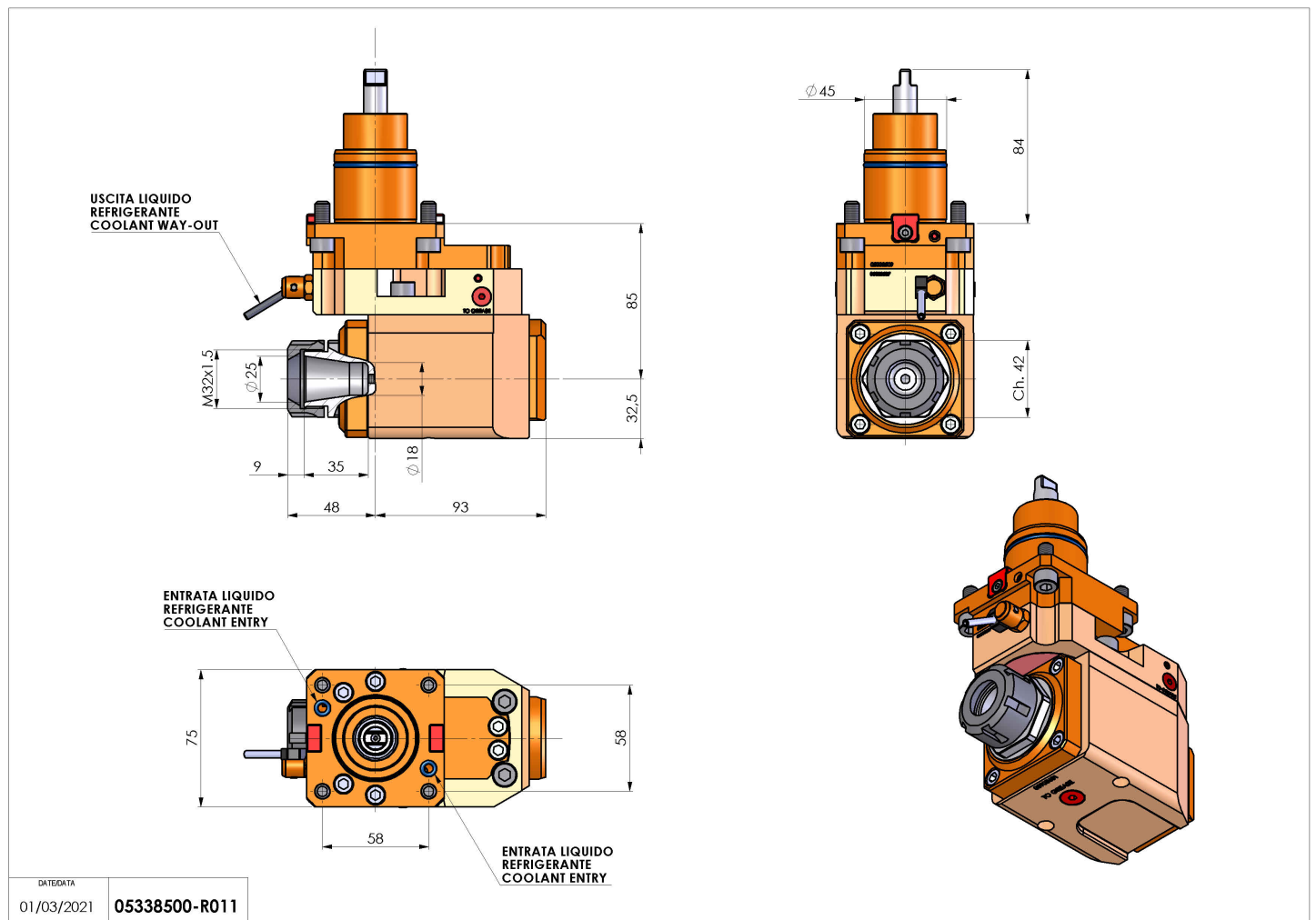


05338500 - LT-A BMT45 ER25 OFS 1:2 H85

Type	LT-A OFS Tool holder offset angle 90°
Mounting	BMT 45
Tool output	Collet nut ER 25
Coolant	External coolant
Direction of rotation	r1 r2
Max speed [rpm]	in 6000 /out 12000
Max torque [Nm]	in 25 / out 12.5
Ratio	1:2
H [mm]	85
H1 [mm]	32.5
Accessories	N.A.
Notes	N.A.
Mounting tips	Not suitable for every application, please check



Always check live tool dimensions on the turret



DATE/DATA: 01/03/2021
05338500-R011

Subject to technical changes