
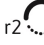
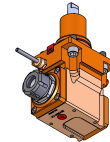
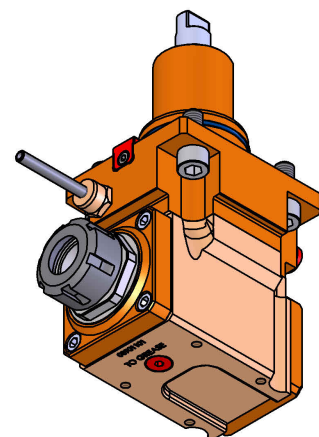
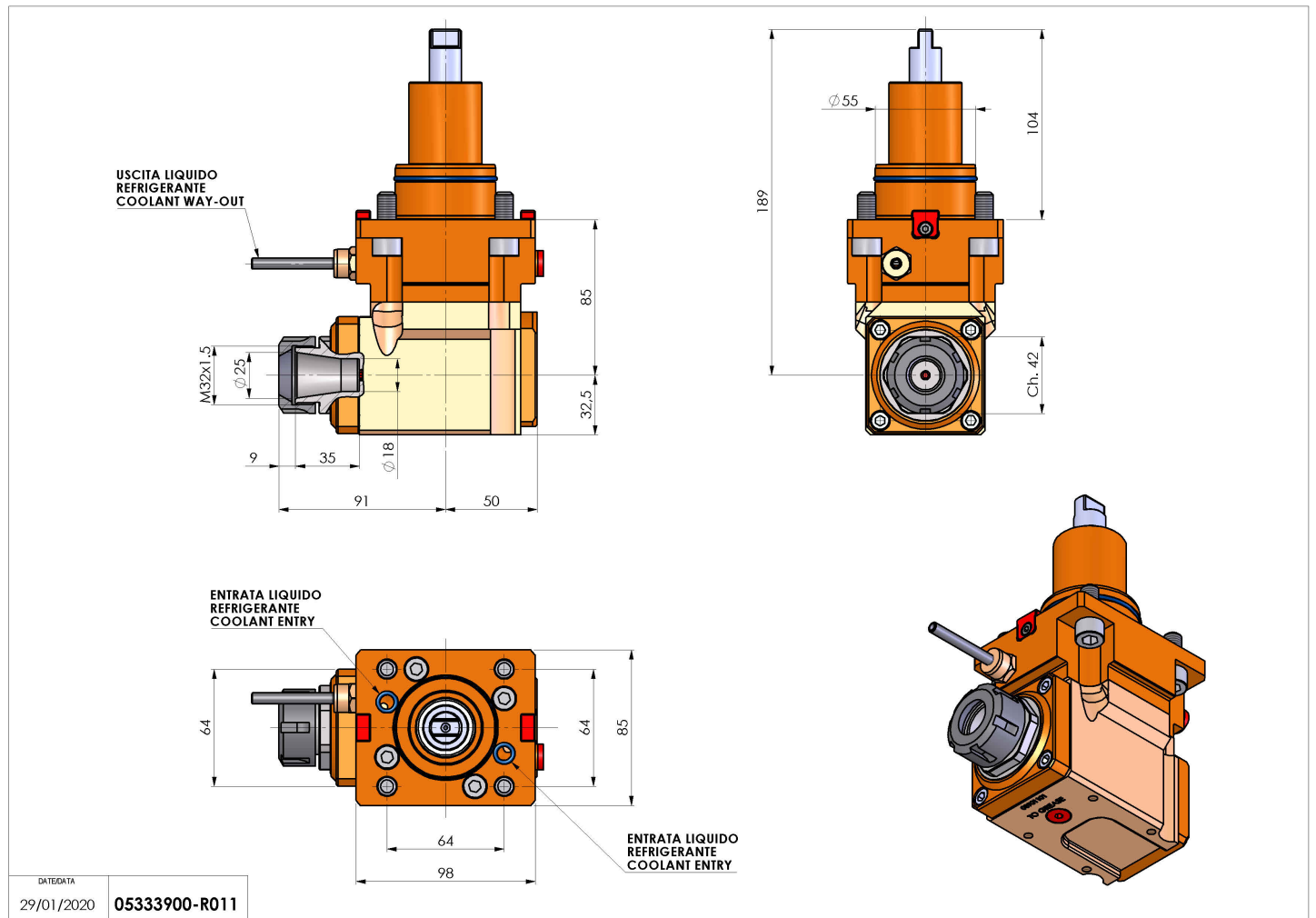


05333900 - LT-A BMT55 ER25 LR H85

Type	LT-A Tool holder angle 90°
Mounting	BMT 55
Tool output	Collet nut ER 25
Coolant	External coolant
Direction of rotation	r1  r2 
Max speed [rpm]	6000
Max torque [Nm]	40
Ratio	1:1
H [mm]	85
H1 [mm]	32.5
Accessories	N.A.
Notes	N.A.
Mounting tips	Not suitable for every application, please check



Always check live tool dimensions on the turret



Subject to technical changes

DATE/DATE
29/01/2020 05333900-R011