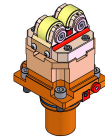
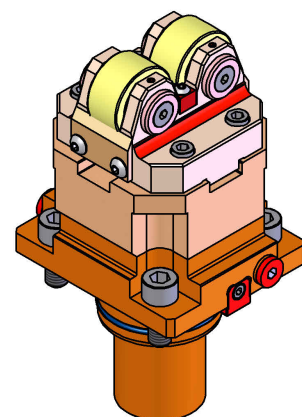
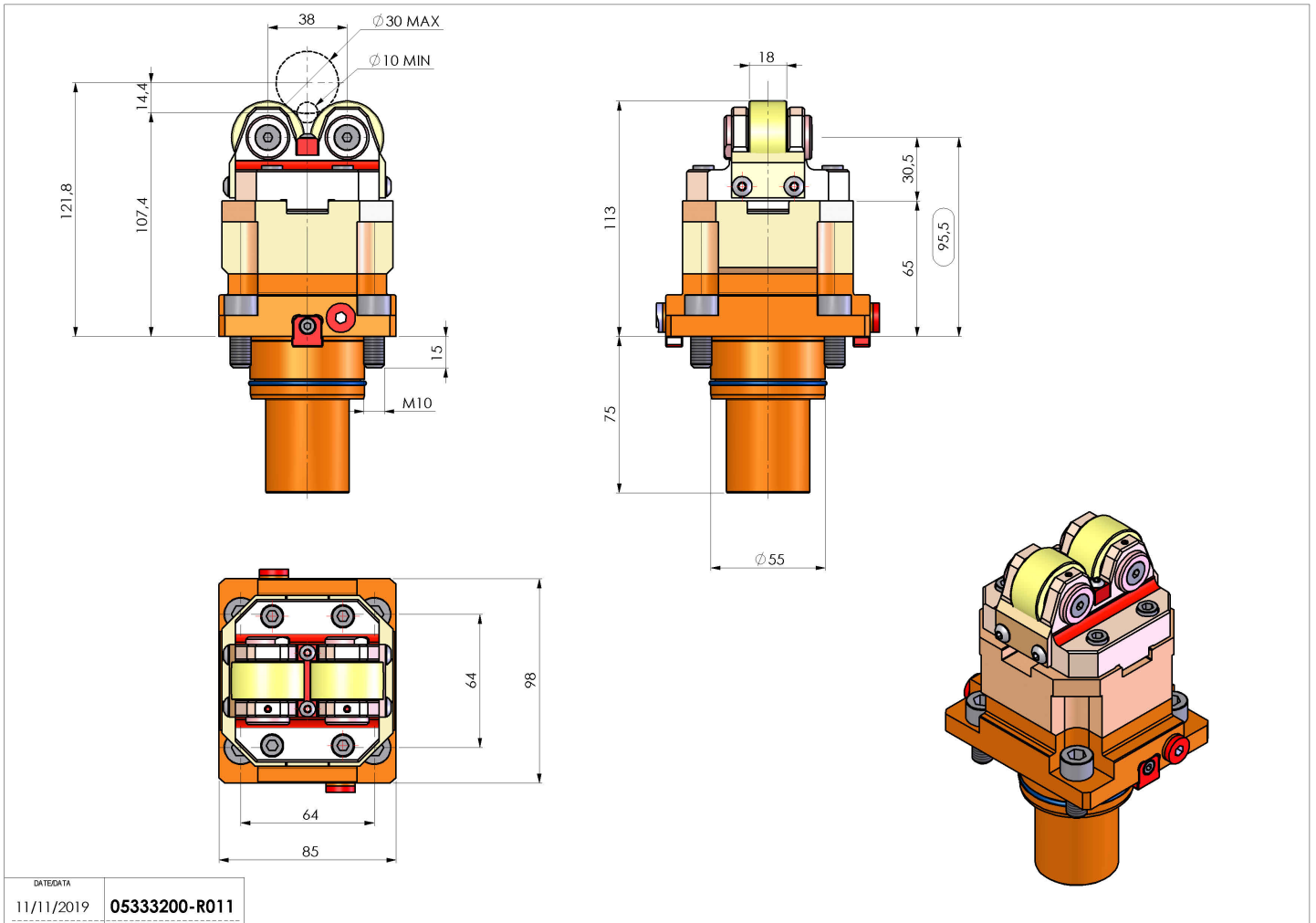


05333200 - SUPP ALB BMT55 AX D10-30

Type	SHAFT SUPPORT Shaft support
Mounting	BMT 55
Tool output	Shaft support Ø10-Ø30
Coolant	N.A.
H [mm]	65.5
Ø Min [mm]	10
Ø Max [mm]	30
Accessories	N.A.
Notes	N.A.
Mounting tips	Not suitable for every application, please check



Always check live tool dimensions on the turret



DATE/DATE: 11/11/2019
05333200-R011

Subject to technical changes