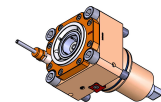
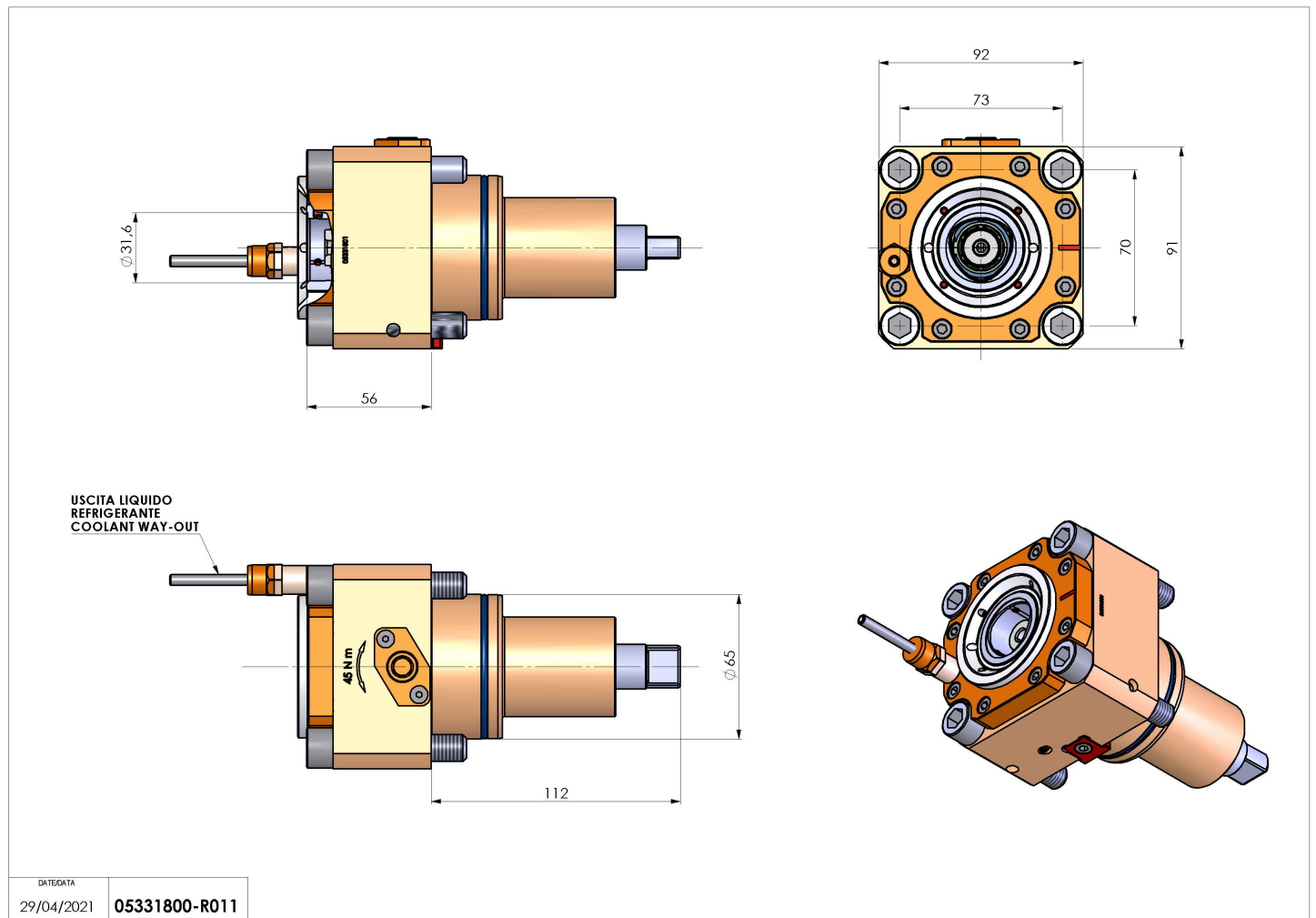


## 05331800 - LT-S BMT65 C40 H56

<b>Type</b>	LT-S Tool holder straight
<b>Mounting</b>	BMT 65
<b>Tool output</b>	Polygonal shank C40 ISO 26623-1
<b>Coolant</b>	External coolant
<b>Direction of rotation</b>	r1  r2
<b>Max speed [rpm]</b>	6000
<b>Max torque [Nm]</b>	70
<b>Ratio</b>	1:1
<b>H [mm]</b>	56
<b>Accessories</b>	N.A.
<b>Notes</b>	N.A.
<b>Mounting tips</b>	Not suitable for every application, please check



Always check live tool dimensions on the turret



DATE/DATA	
29/04/2021	05331800-R011

Subject to technical changes