

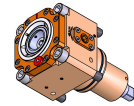
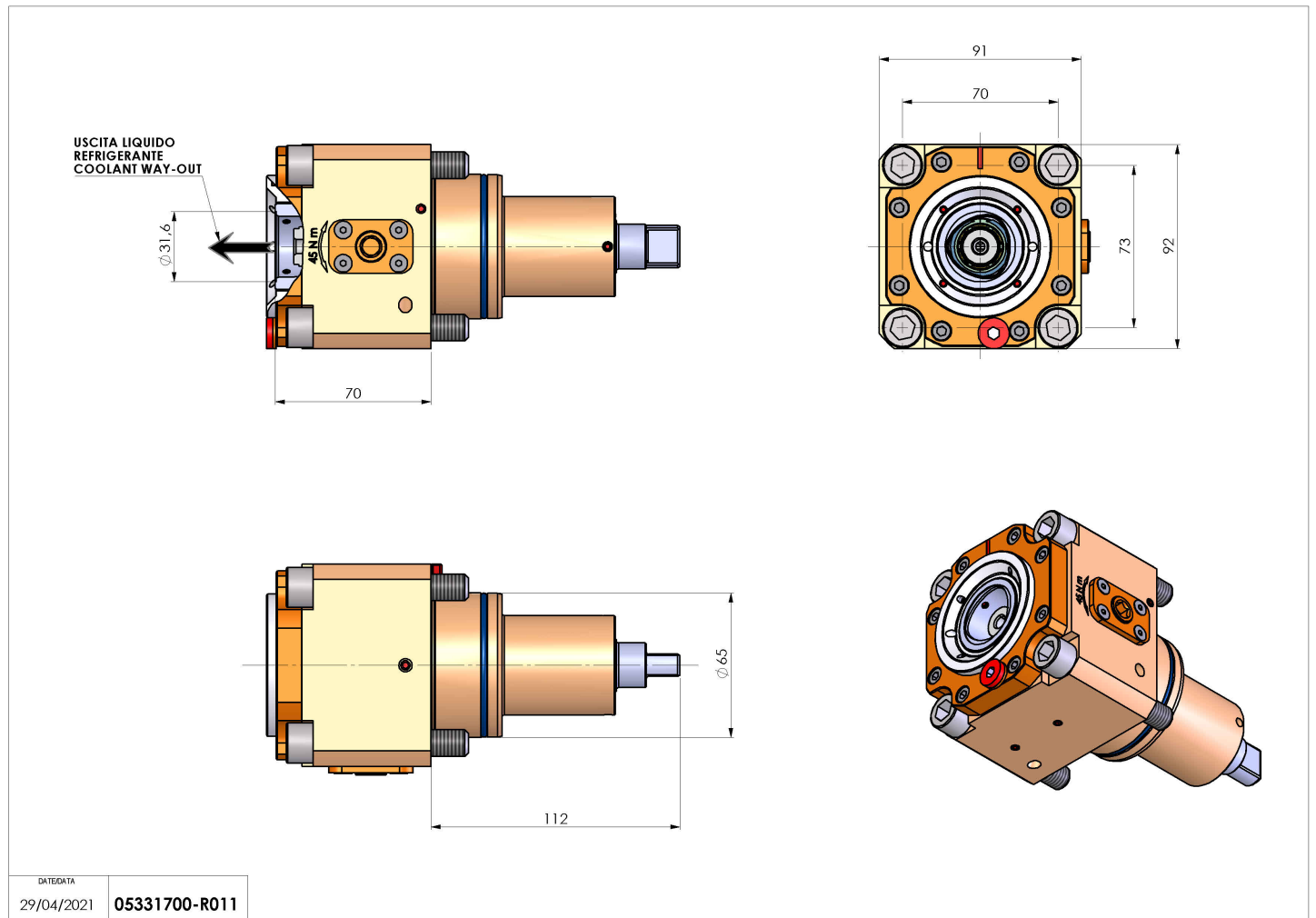


05331700 - LT-S BMT65 C40 HRF H70

Type	LT-S Tool holder straight
Mounting	BMT 65
Tool output	Polygonal shank C40 ISO 26623-1
Coolant	HP Internal coolant
Direction of rotation	r1  r2 
Max speed [rpm]	6000
Max torque [Nm]	70
Ratio	1:1
H [mm]	70
Max pressure [bar]	70
Accessories	N.A.
Notes	N.A.
Mounting tips	Not suitable for every application, please check



Always check live tool dimensions on the turret



DATE/DATE
29/04/2021 05331700-R011

Subject to technical changes