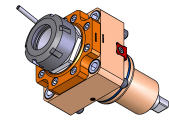
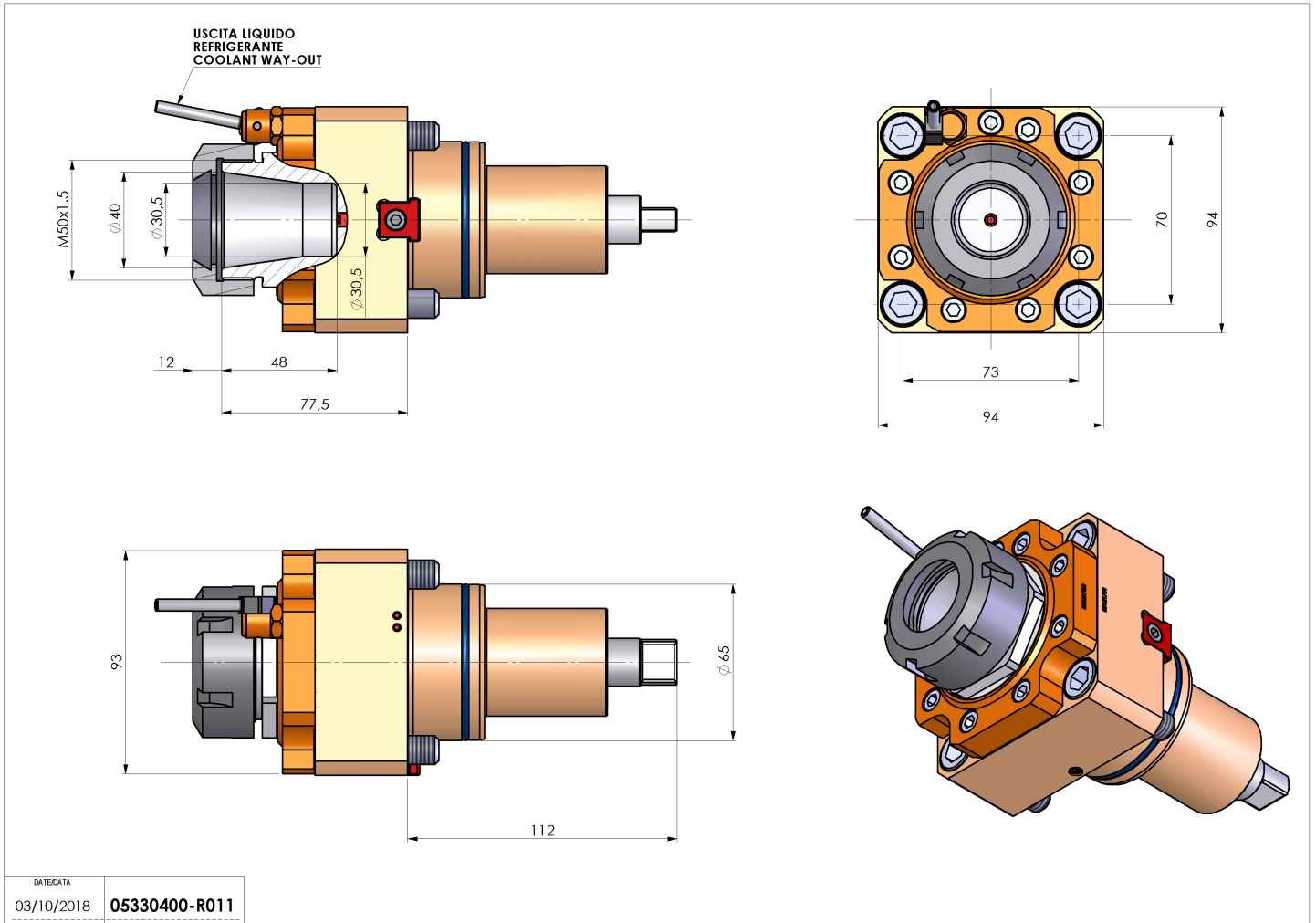


05330400 - LT-S BMT65 ER40 H90

Type	LT-S Tool holder straight
Mounting	BMT 65
Tool output	Collet nut ER 40
Coolant	External coolant
Direction of rotation	r1 ↻ r2 ↻
Max speed [rpm]	6000
Max torque [Nm]	63
Ratio	1:1
H [mm]	90
Accessories	N.A.
Notes	N.A.
Mounting tips	Not suitable for every application, please check



Always check live tool dimensions on the turret



Subject to technical changes

DATE/DATE	03/10/2018	05330400-R011
-----------	------------	---------------