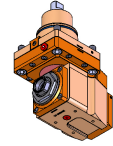
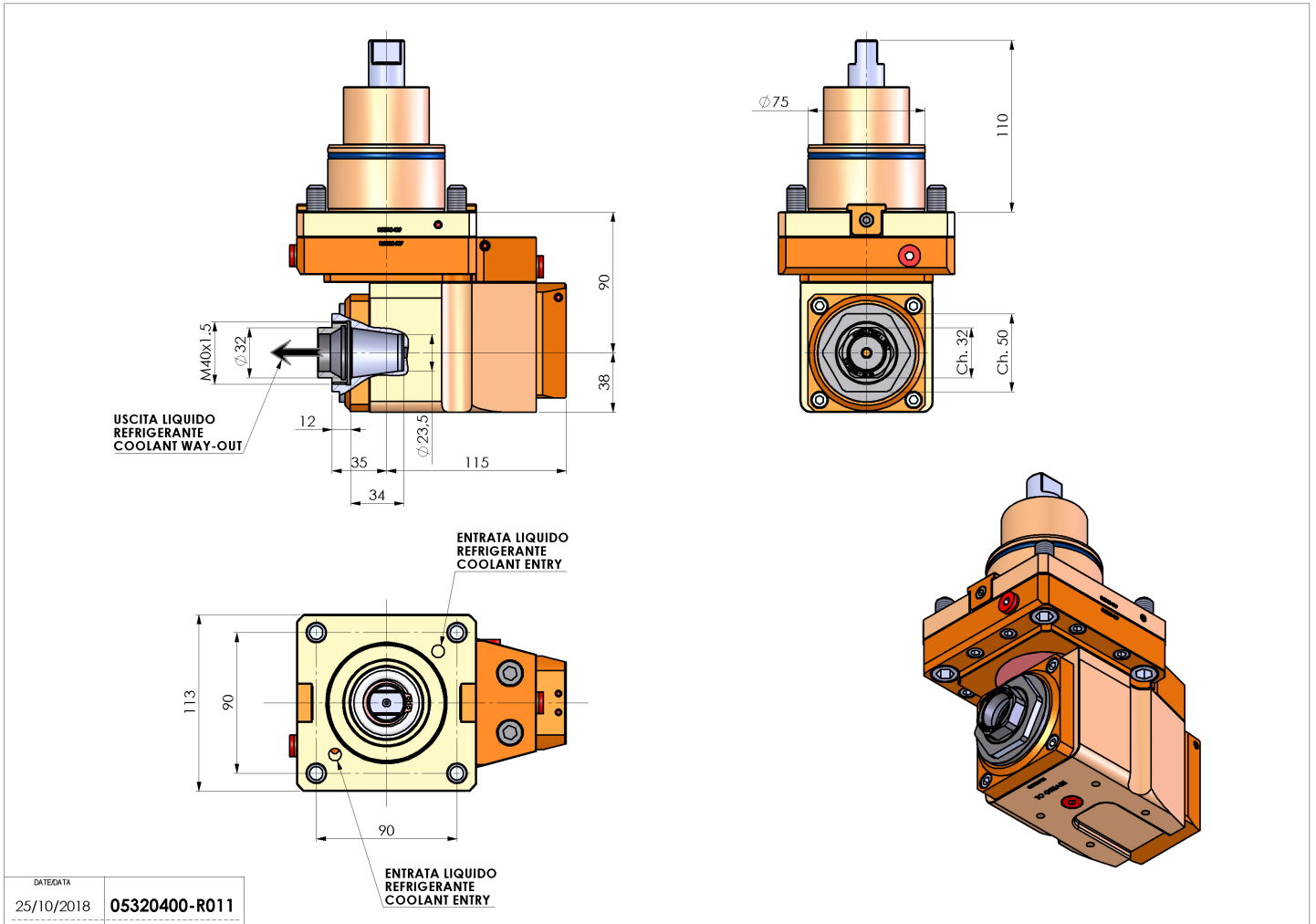


# 05320400 - LT-A BMT75 ER32F RF OF LR1:2 H90

<b>Type</b>	LT-A OFS Tool holder offset angle 90°
<b>Mounting</b>	BMT 75
<b>Tool output</b>	Collet nut ER 32 F - internal nut
<b>Coolant</b>	Internal coolant
<b>Direction of rotation</b>	r1 ↻ r2 ↻
<b>Max speed [rpm]</b>	in 4000 / out 8000
<b>Max torque [Nm]</b>	in 50 / out 25
<b>Ratio</b>	1:2
<b>H [mm]</b>	90
<b>H1 [mm]</b>	38
<b>Accessories</b>	N.A.
<b>Notes</b>	N.A.
<b>Mounting tips</b>	Not suitable for every application, please check



Always check live tool dimensions on the turret



DATE/DATA	05320400-R011
25/10/2018	

Subject to technical changes