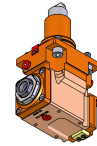
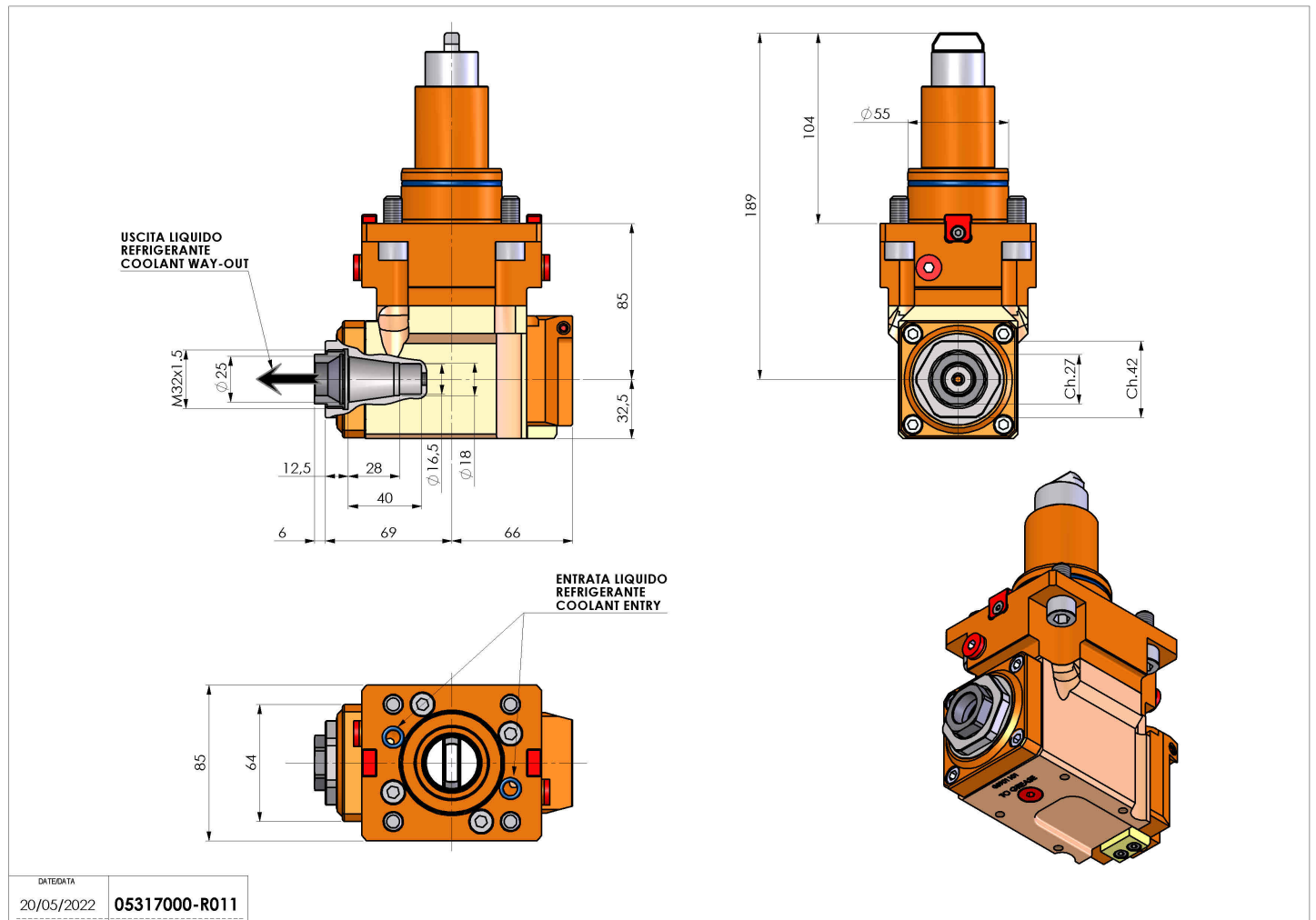


05317000 - LT-A BMT55 BD ER25F LR HRF H85

| | |
|------------------------------|--|
| Type | LT-A Tool holder angle 90° |
| Mounting | BMT 55 BIG DRIVE |
| Tool output | Collet nut ER 25 F - internal nut |
| Coolant | HP Internal coolant |
| Direction of rotation | r1 ↻ r2 ↻ |
| Max speed [rpm] | 6000 |
| Max torque [Nm] | 60 |
| Ratio | 1:1 |
| H [mm] | 85 |
| H1 [mm] | 32.5 |
| Max pressure [bar] | 80 |
| Accessories | N.A. |
| Notes | N.A. |
| Mounting tips | Not suitable for every application, please check |



Always check live tool dimensions on the turret



| | |
|-----------|---------------|
| DATE/DATA | 05317000-R011 |
|-----------|---------------|

Subject to technical changes