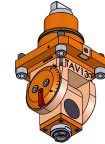
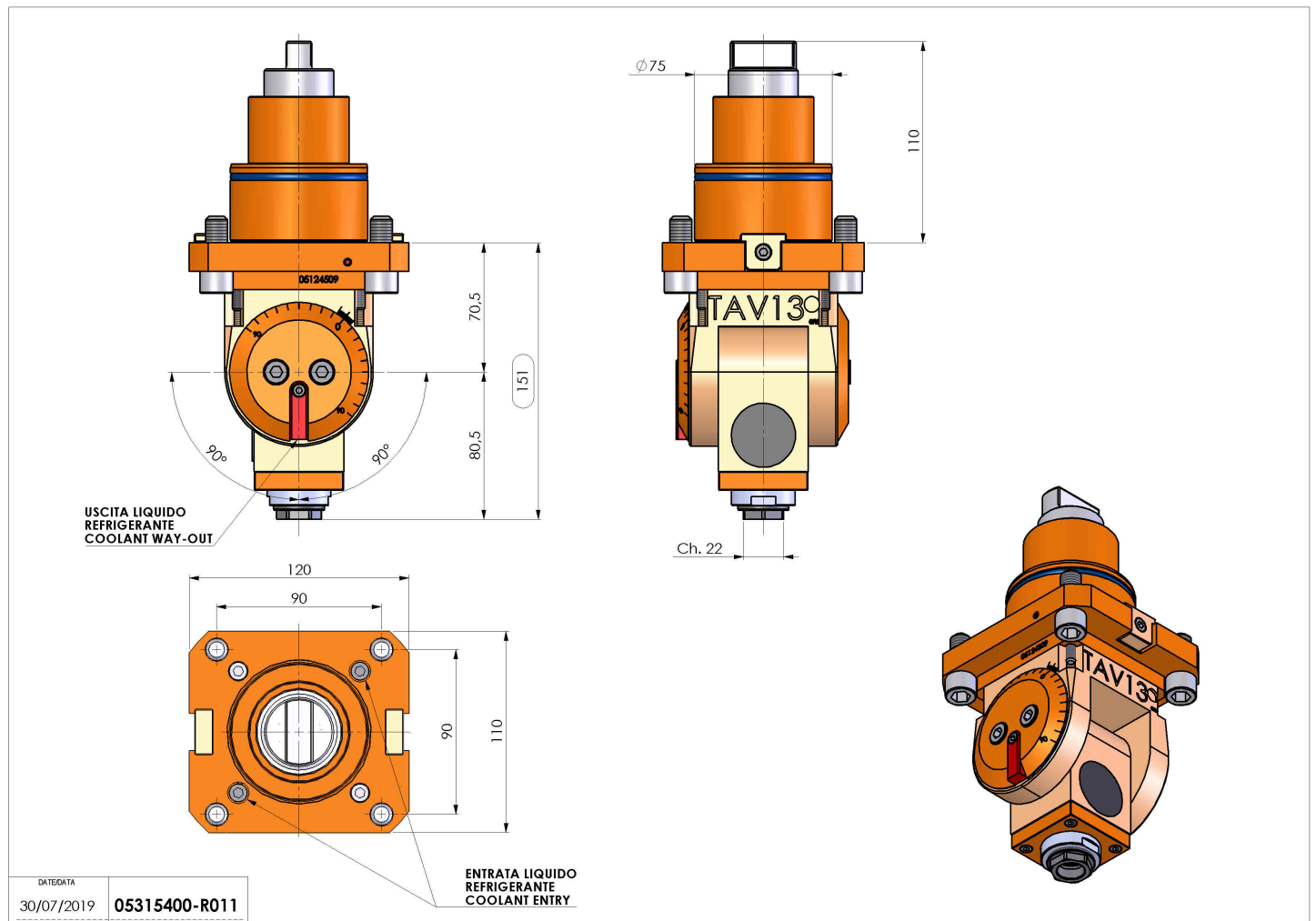


05315400 - LT-T BMT75BD ER20F H71-151

Type	LT-T Tool holder tiltable
Mounting	BMT 75 BIG DRIVE
Tool output	Collet nut ER 20 F - internal nut
Coolant	External coolant
Direction of rotation	r1 ↻ r2 ↻
Max speed [rpm]	6000
Max torque [Nm]	20
Ratio	1:1
H [mm]	71-151
Accessories	N.A.
Notes	N.A.
Mounting tips	Not suitable for every application, please check



Always check live tool dimensions on the turret



Subject to technical changes

DATE/DATE
30/07/2019 05315400-R011