

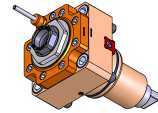
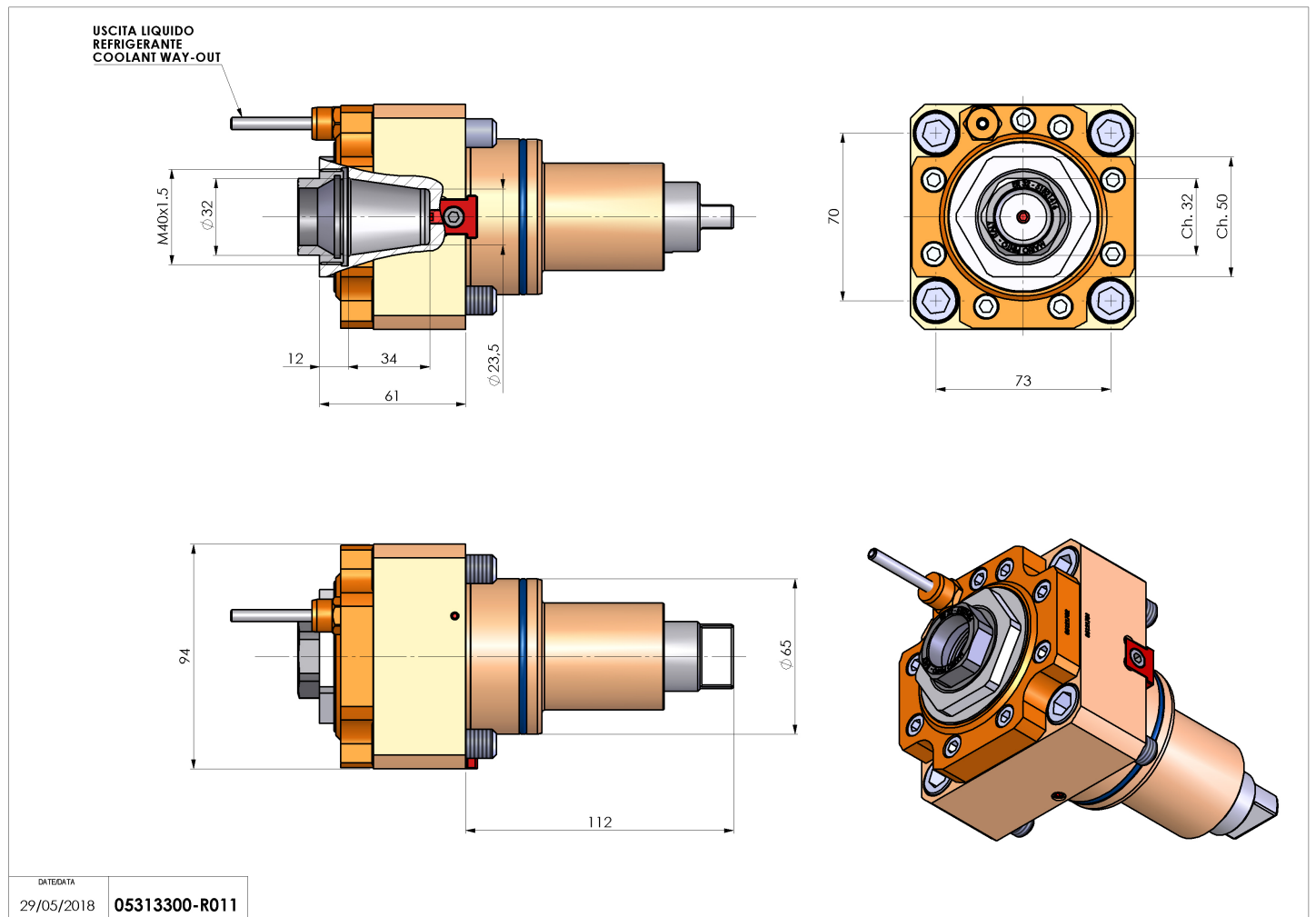


05313300 - LT-S BMT 65 BD ER32F H61

| | |
|------------------------------|---|
| Type | LT-S Tool holder straight |
| Mounting | BMT 65 BIG DRIVE |
| Tool output | Collet nut ER 32 F - internal nut |
| Coolant | External coolant |
| Direction of rotation | r1  r2  |
| Max speed [rpm] | 6000 |
| Max torque [Nm] | 70 |
| Ratio | 1:1 |
| H [mm] | 60 |
| Accessories | N.A. |
| Notes | N.A. |
| Mounting tips | Not suitable for every application, please check |



Always check live tool dimensions on the turret



DATE/DATE
29/05/2018 05313300-R011

Subject to technical changes