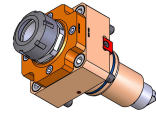
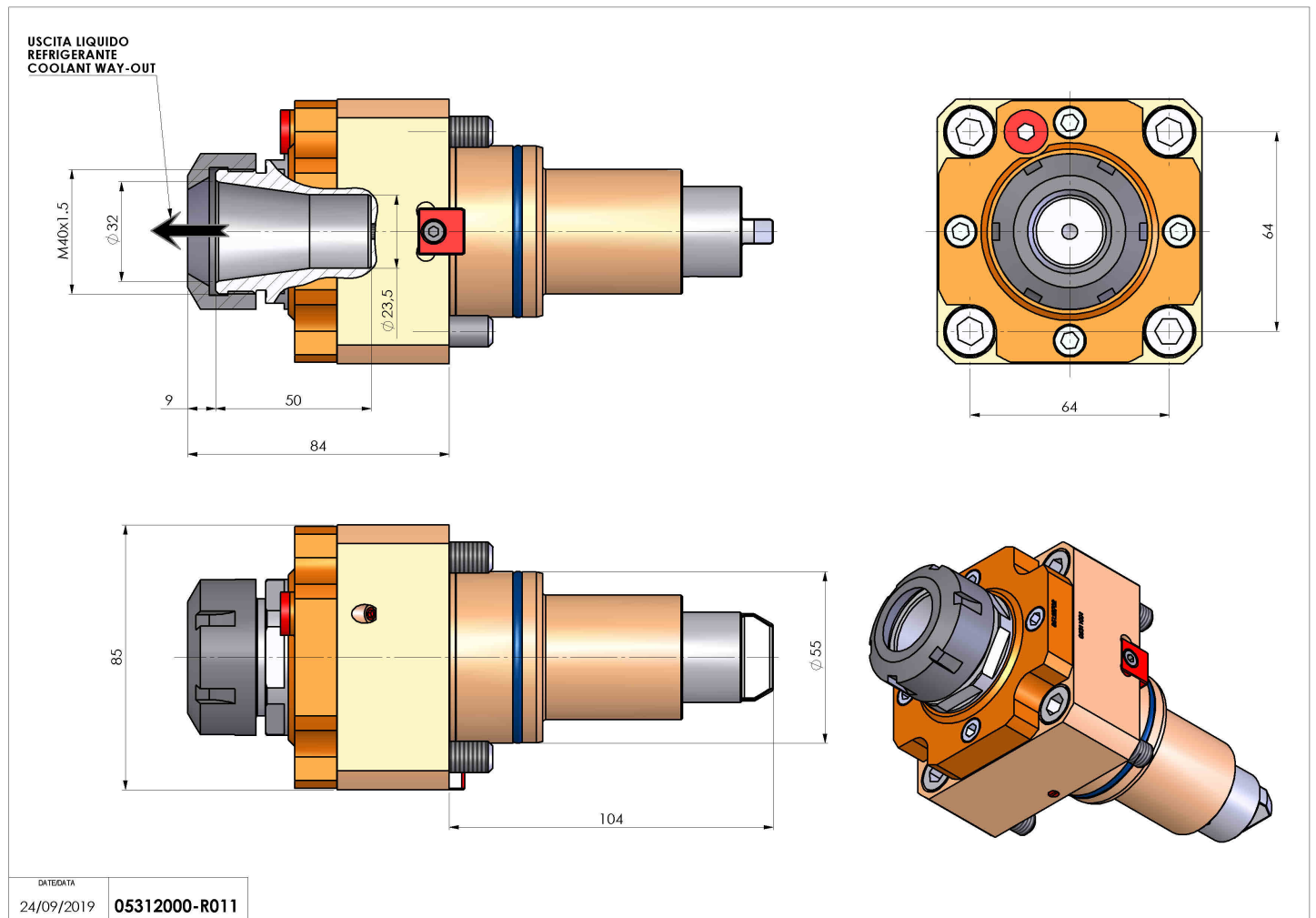


05312000 - LT-S BMT55 BD ER32 RF H84

| | |
|-----------------------|--------------------------------------------------|
| Type | LT-S Tool holder straight |
| Mounting | BMT 55 BIG DRIVE |
| Tool output | Collet nut ER 32 |
| Coolant | Internal coolant |
| Direction of rotation | r1 ↻ r2 ↻ |
| Max speed [rpm] | 6000 |
| Max torque [Nm] | 60 |
| Ratio | 1:1 |
| H [mm] | 84 |
| Accessories | N.A. |
| Notes | N.A. |
| Mounting tips | Not suitable for every application, please check |



Always check live tool dimensions on the turret



Subject to technical changes