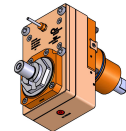
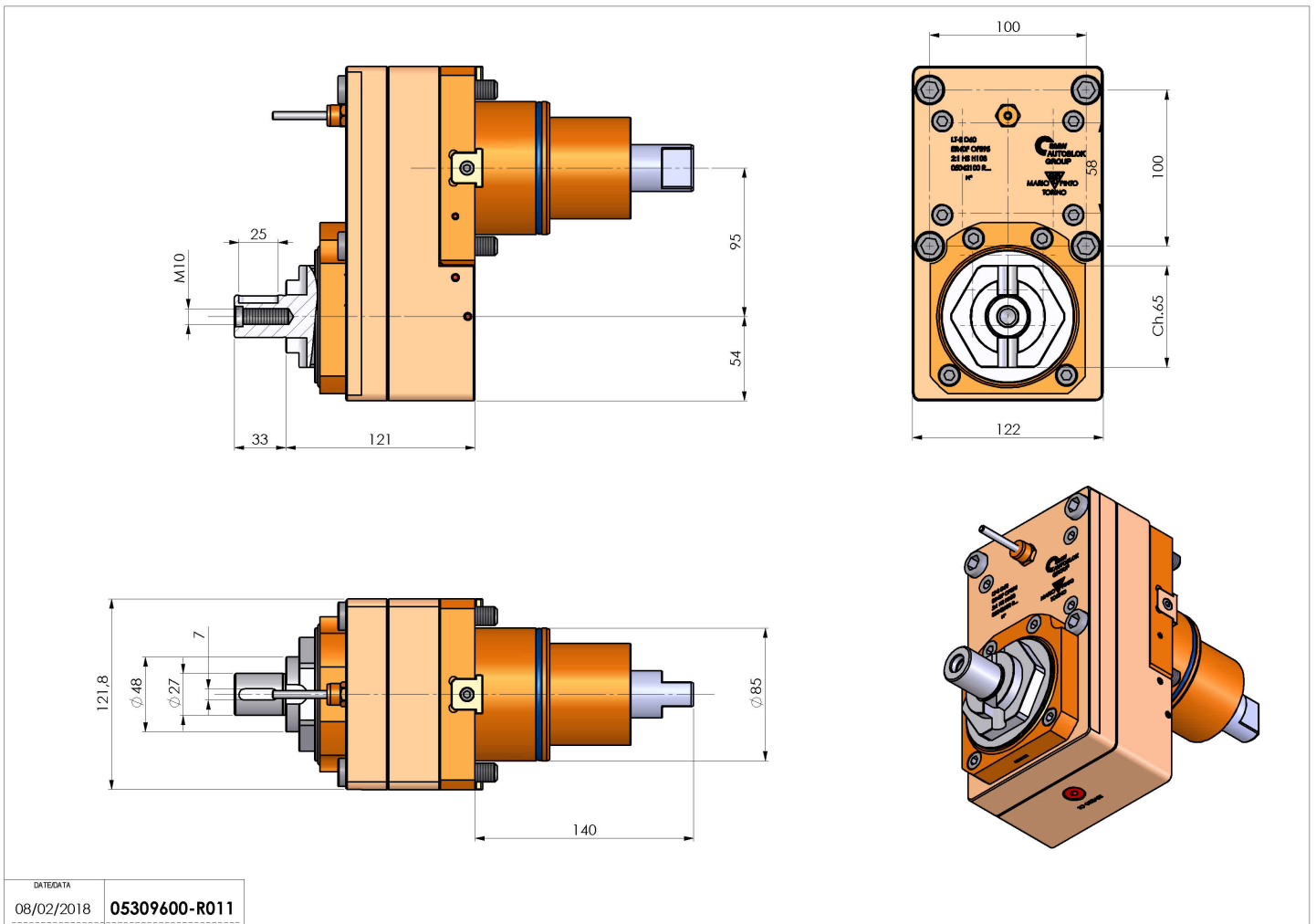


# 05309600 - LTS BMT85 138-27OFS952:1H121AY

<b>Type</b>	LT-S OFS Tool holder straight offset
<b>Mounting</b>	BMT 85
<b>Tool output</b>	Shell-Mill DIN138 27
<b>Coolant</b>	External coolant
<b>Offset [mm]</b>	95
<b>Direction of rotation</b>	r1  r2
<b>Max speed [rpm]</b>	6000
<b>Max torque [Nm]</b>	50
<b>Ratio</b>	2:1
<b>H [mm]</b>	121
<b>Accessories</b>	N.A.
<b>Notes</b>	N.A.
<b>Mounting tips</b>	Not suitable for every application, please check



Always check live tool dimensions on the turret



DATE/DATE	08/02/2018	05309600-R011
-----------	------------	---------------

Subject to technical changes