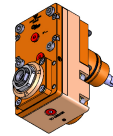
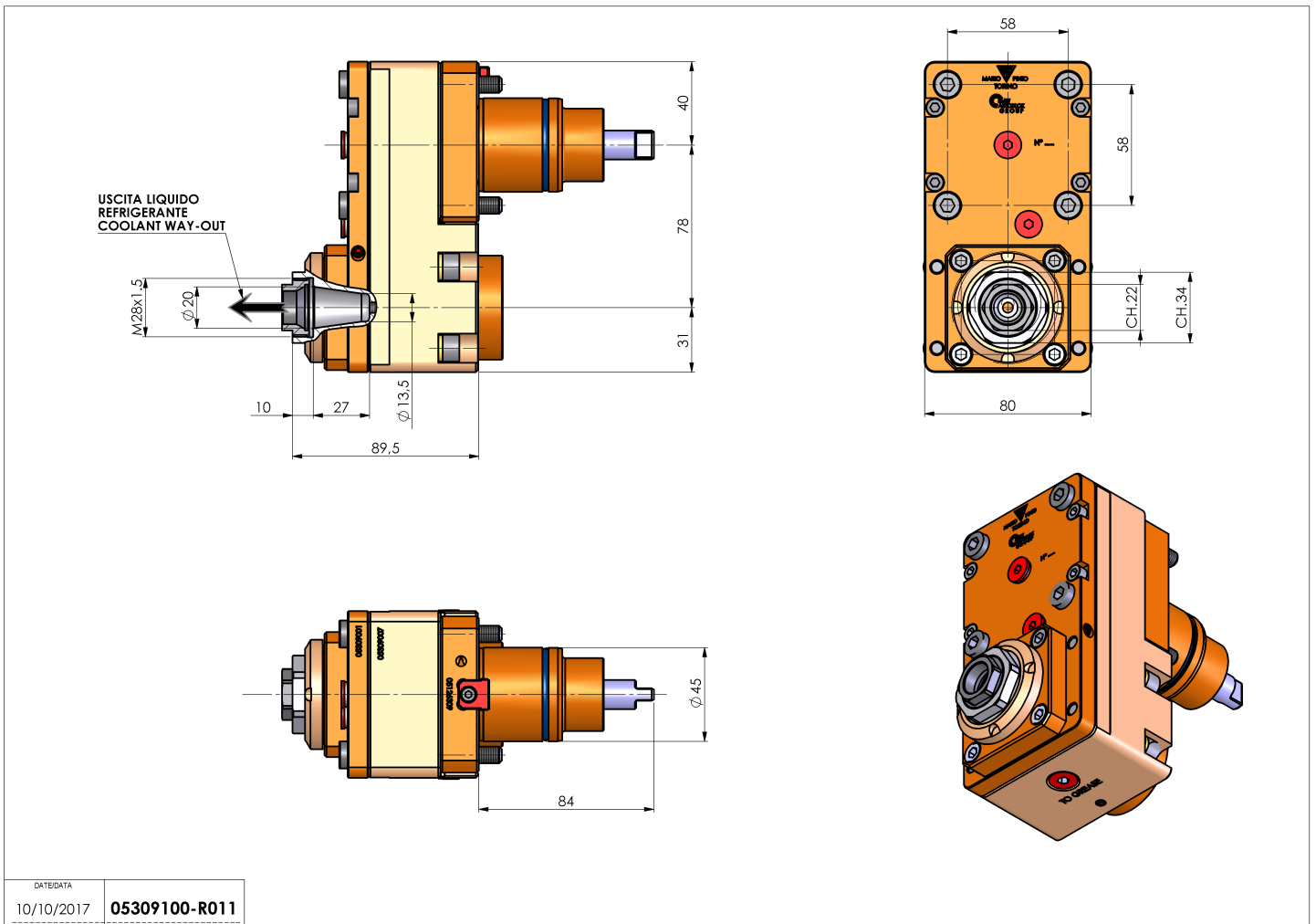


05309100 - LT-S BMT45ER20FOF78LR1:3RFH90

Type	LT-S OFS Tool holder straight offset
Mounting	BMT 45
Tool output	Collet nut ER 20 F - internal nut
Coolant	Internal coolant
Offset [mm]	78
Direction of rotation	r1 r2
Max speed [rpm]	in 5000 / out 15000
Max torque [Nm]	in 25 / out 8
Ratio	1:3
H [mm]	90
Accessories	N.A.
Notes	N.A.
Mounting tips	Not suitable for every application, please check



Always check live tool dimensions on the turret



DATE/DATA	10/10/2017	05309100-R011
-----------	------------	---------------

Subject to technical changes