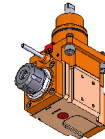
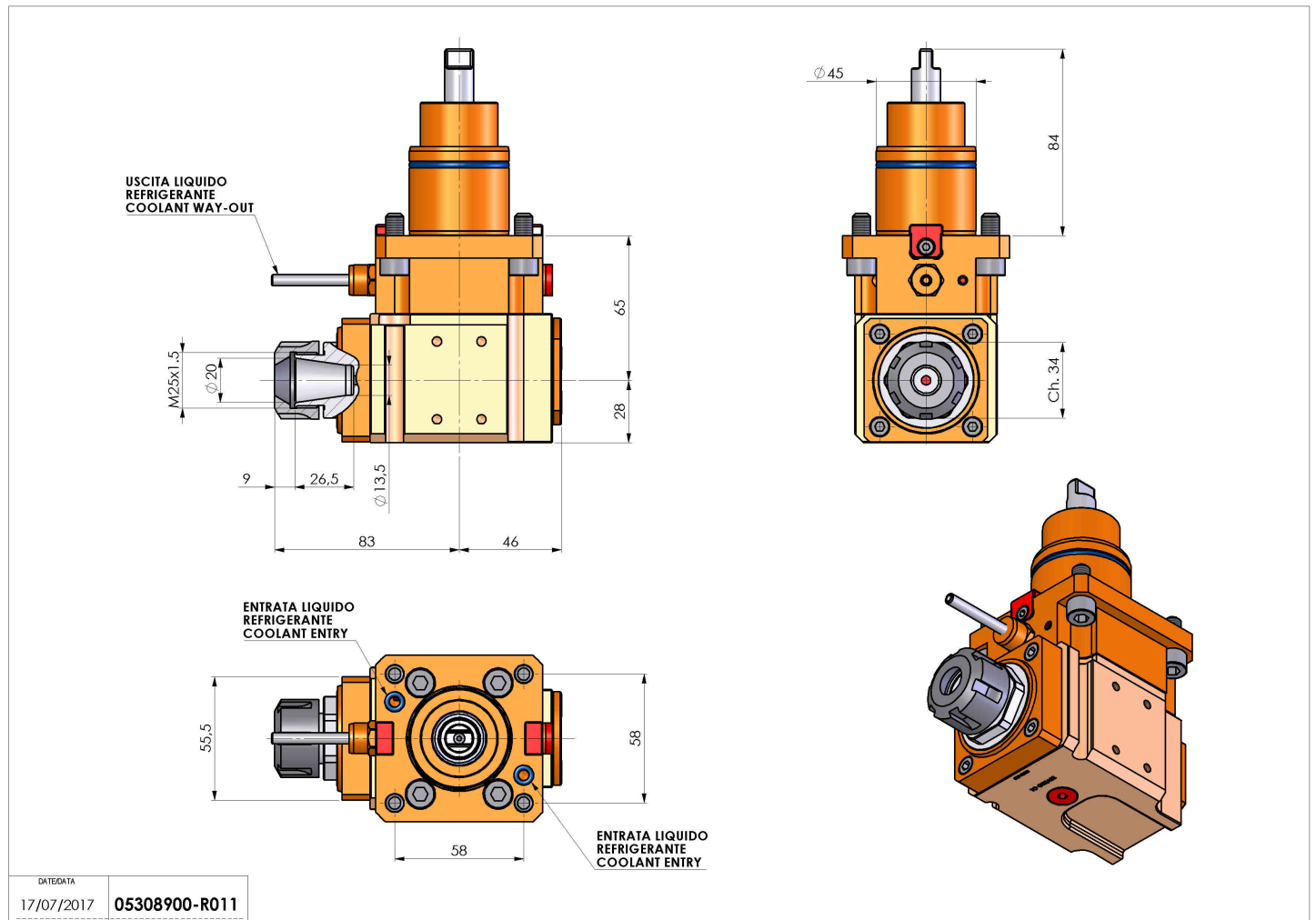


# 05308900 - LT-A BMT45 ER20 1:2 LR H65

|                              |  |
|------------------------------|--|
| <b>Type</b>                  | LT-A<br>Tool holder angle 90°                    |
| <b>Mounting</b>              | BMT 45   |
| <b>Tool output</b>           | Collet nut ER 20                                 |
| <b>Coolant</b>               | External coolant                                 |
| <b>Direction of rotation</b> | r1 ↻ r2 ↻  |
| <b>Max speed [rpm]</b>       | in 6000 / out 12000                              |
| <b>Max torque [Nm]</b>       | in 10 / out 5                                    |
| <b>Ratio</b>                 | 1:2  |
| <b>H [mm]</b>                | 65   |
| <b>H1 [mm]</b>               | 28   |
| <b>Accessories</b>           | N.A.   |
| <b>Notes</b>                 | N.A.   |
| <b>Mounting tips</b>         | Not suitable for every application, please check |



Always check live tool dimensions on the turret



|            |               |
|------------|---------------|
| DATE/DATE  | 05308900-R011 |
| 17/07/2017 |               |

Subject to technical changes