

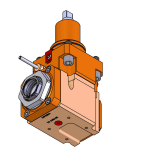
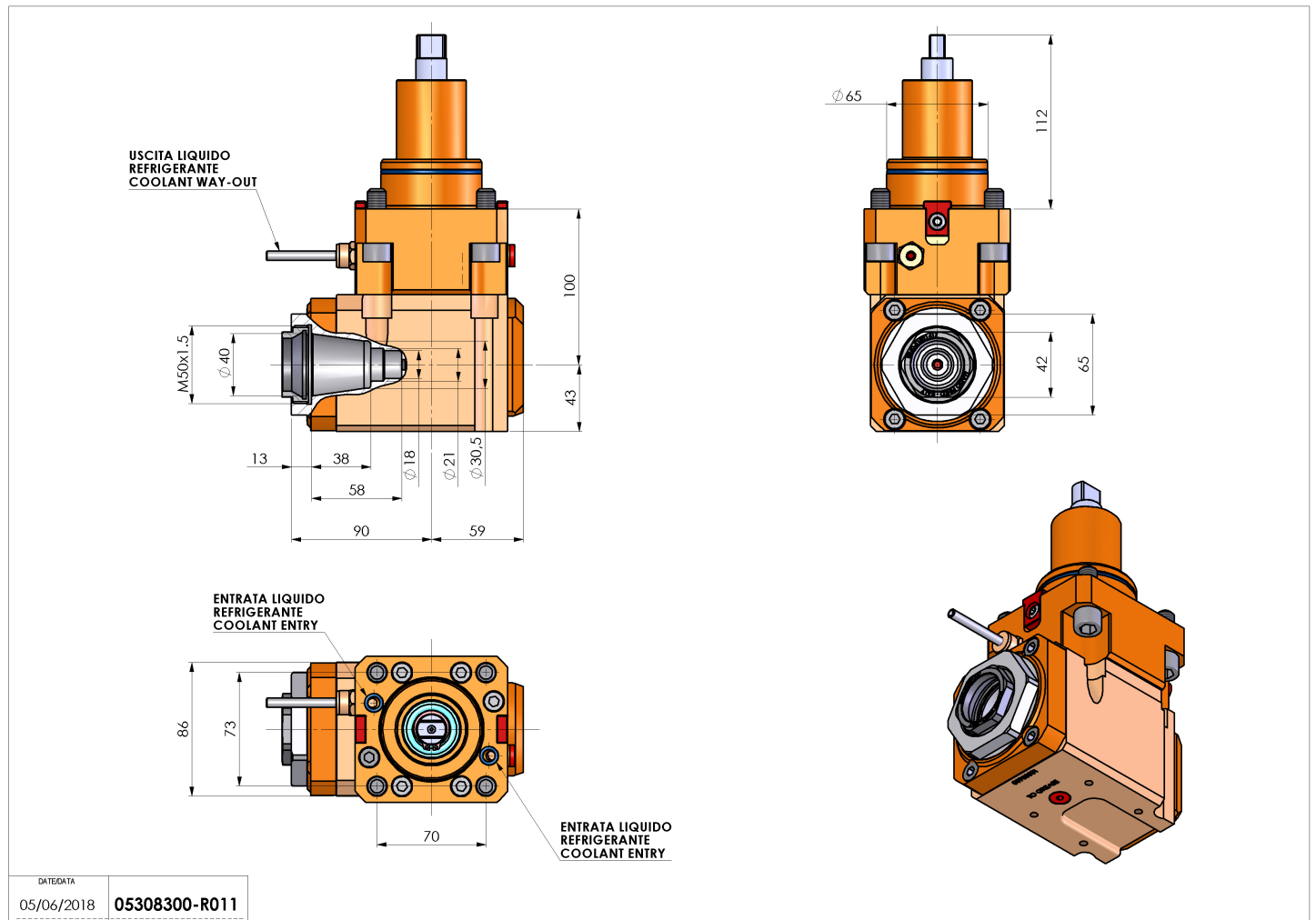


05308300 - LT-A BMT65 ER40F LR H100

| | |
|------------------------------|---|
| Type | LT-A Tool holder angle 90° |
| Mounting | BMT 65 |
| Tool output | Collet nut ER 40 F - internal nut |
| Coolant | External coolant |
| Direction of rotation | r1  r2  |
| Max speed [rpm] | 6000 |
| Max torque [Nm] | 63 |
| Ratio | 1:1 |
| H [mm] | 100 |
| H1 [mm] | 43 |
| Accessories | N.A. |
| Notes | N.A. |
| Mounting tips | Not suitable for every application, please check |



Always check live tool dimensions on the turret



| | |
|-----------|---------------|
| DATE/DATE | 05/06/2018 |
| | 05308300-R011 |

Subject to technical changes