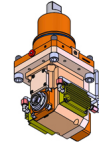
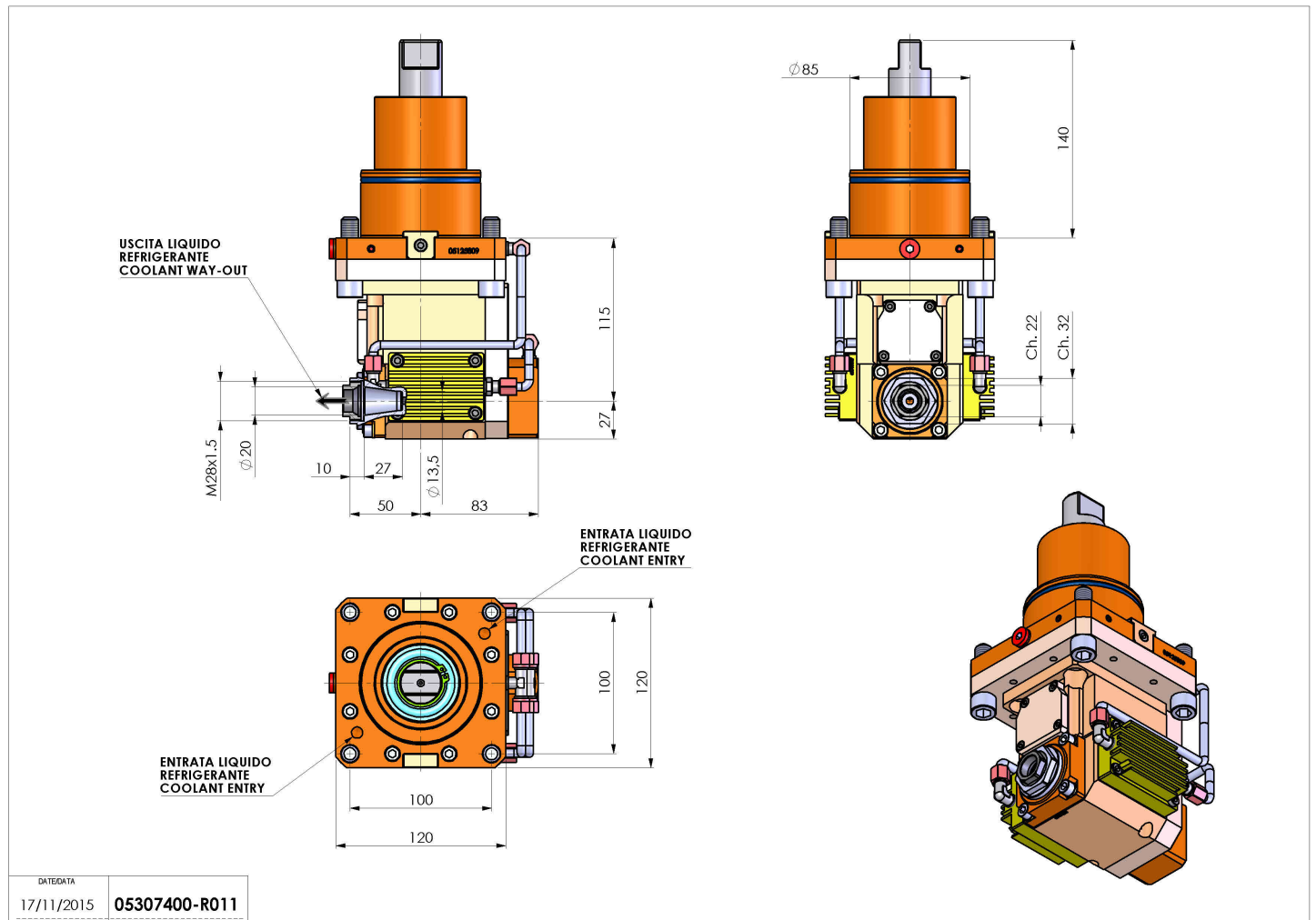


05307400 - LT-A BMT85 ER20F RF H115 1:2KR

Type	LT-A Tool holder angle 90°
Mounting	BMT 85
Tool output	Collet nut ER 20 F - internal nut
Coolant	With coolant kit
Direction of rotation	r1 ↻ r2 ↻
Max speed [rpm]	in 5000 / out 10000
Max torque [Nm]	in 50 / out 25
Ratio	1:2
H [mm]	115
H1 [mm]	27
Accessories	N.A.
Notes	N.A.
Mounting tips	Not suitable for every application, please check



Always check live tool dimensions on the turret



DATE/DATE	05307400-R011
17/11/2015	

Subject to technical changes