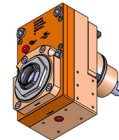
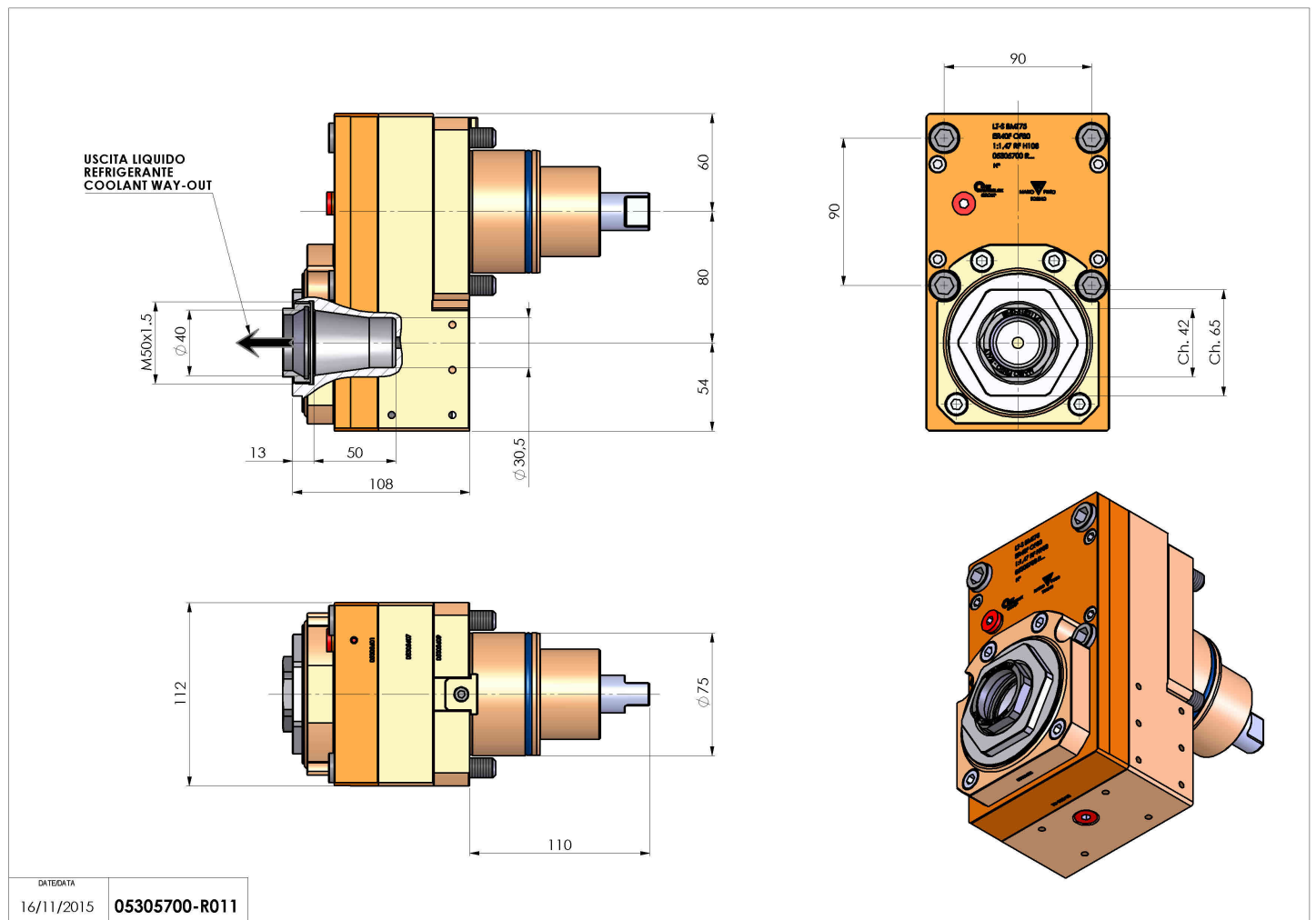


# 05305700 - LT-SBMT75ER40FOF80RF1:1.47H108

<b>Type</b>	LT-S OFS Tool holder straight offset
<b>Mounting</b>	BMT 75
<b>Tool output</b>	Collet nut ER 40 F - internal nut
<b>Coolant</b>	Internal coolant
<b>Offset [mm]</b>	80
<b>Direction of rotation</b>	r1  r2
<b>Max speed [rpm]</b>	in 4080 / out 6000
<b>Max torque [Nm]</b>	in 176 / out 120
<b>Ratio</b>	1:1,47
<b>H [mm]</b>	108
<b>Accessories</b>	N.A.
<b>Notes</b>	N.A.
<b>Mounting tips</b>	Not suitable for every application, please check



Always check live tool dimensions on the turret



DATE/DATE	05305700-R011
16/11/2015	

Subject to technical changes