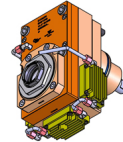
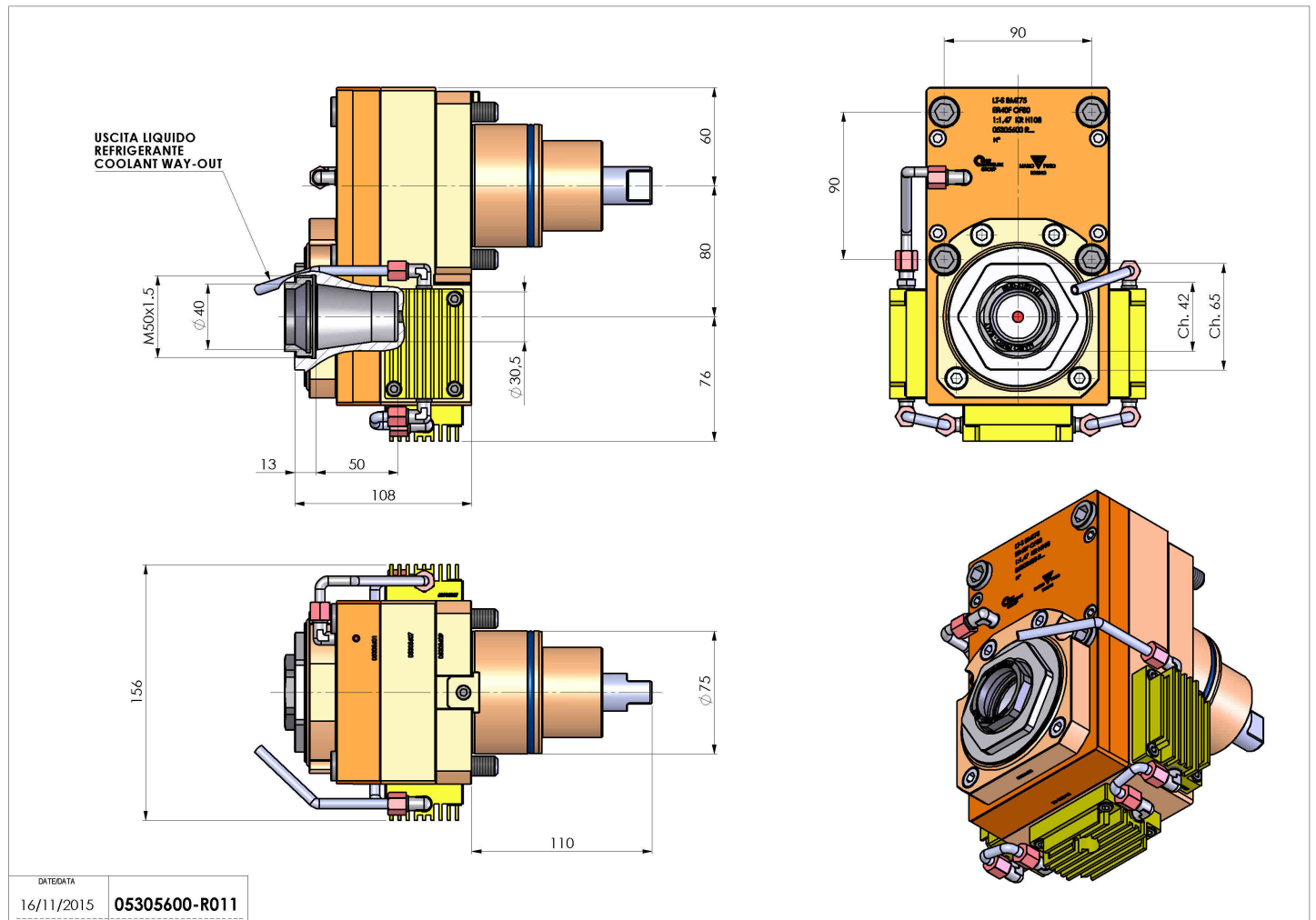


05305600 - LT-SBMT75ER40FOF801:1.47KRH108

Type	LT-S OFS Tool holder straight offset
Mounting	BMT 75
Tool output	Collet nut ER 40 F - internal nut
Coolant	With coolant kit
Offset [mm]	80
Direction of rotation	r1 r2
Max speed [rpm]	in 4080/ out 6000
Max torque [Nm]	in 176 / out 120
Ratio	1:1,47
H [mm]	108
Accessories	N.A.
Notes	N.A.
Mounting tips	Not suitable for every application, please check



Always check live tool dimensions on the turret



Subject to technical changes