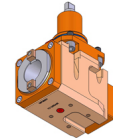
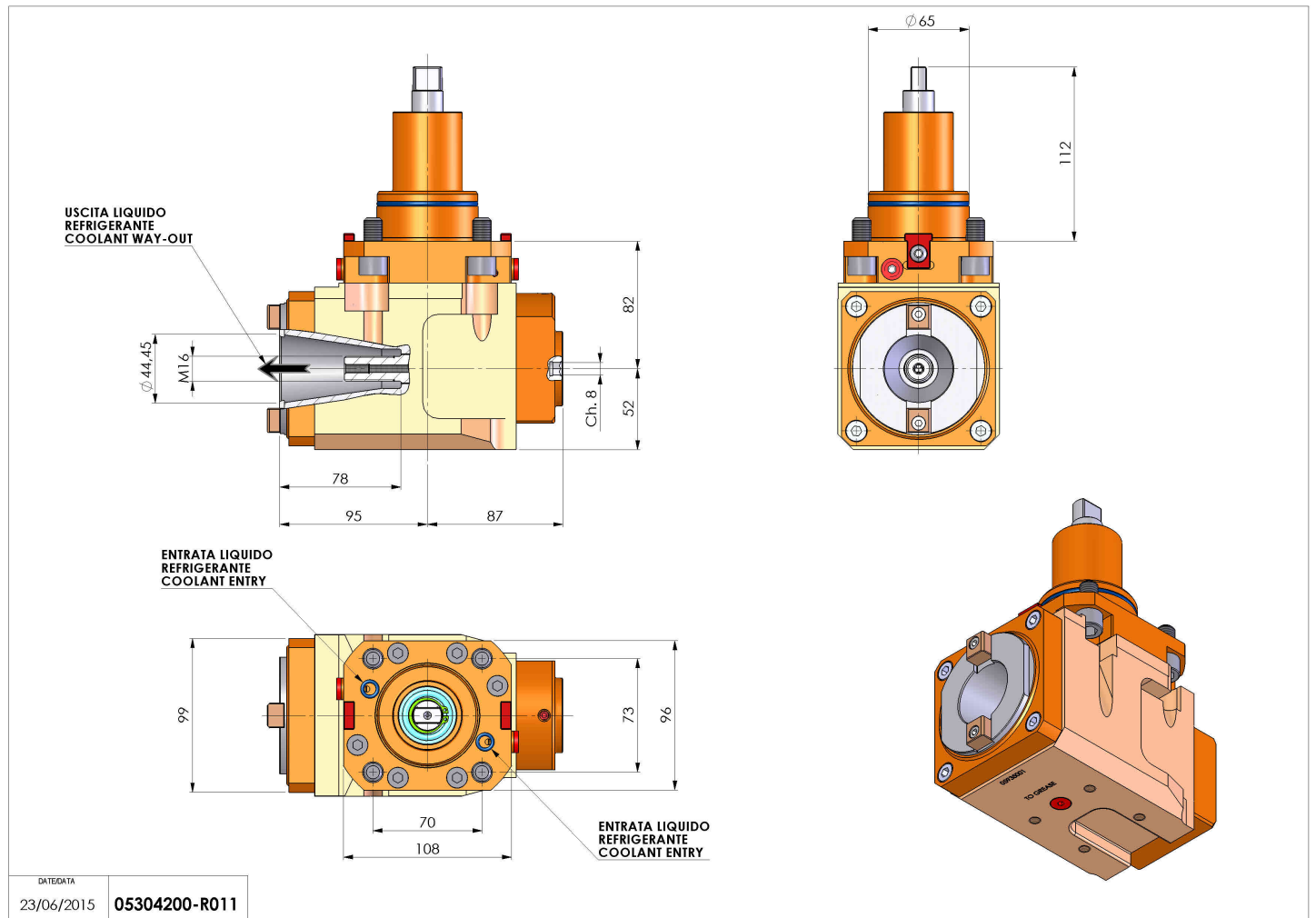


## 05304200 - LT-A BMT65 ISO-BT40 LR RF H82

<b>Type</b>	LT-A Tool holder angle 90°
<b>Mounting</b>	BMT 65
<b>Tool output</b>	Quick Change ISO-BT40
<b>Coolant</b>	Internal coolant
<b>Direction of rotation</b>	r1 ↻ r2 ↻
<b>Max speed [rpm]</b>	6000
<b>Max torque [Nm]</b>	63
<b>Ratio</b>	1:1
<b>H [mm]</b>	82
<b>H1 [mm]</b>	52
<b>Accessories</b>	N.A.
<b>Notes</b>	N.A.
<b>Mounting tips</b>	Not suitable for every application, please check



Always check live tool dimensions on the turret



Subject to technical changes