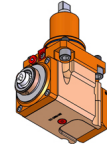
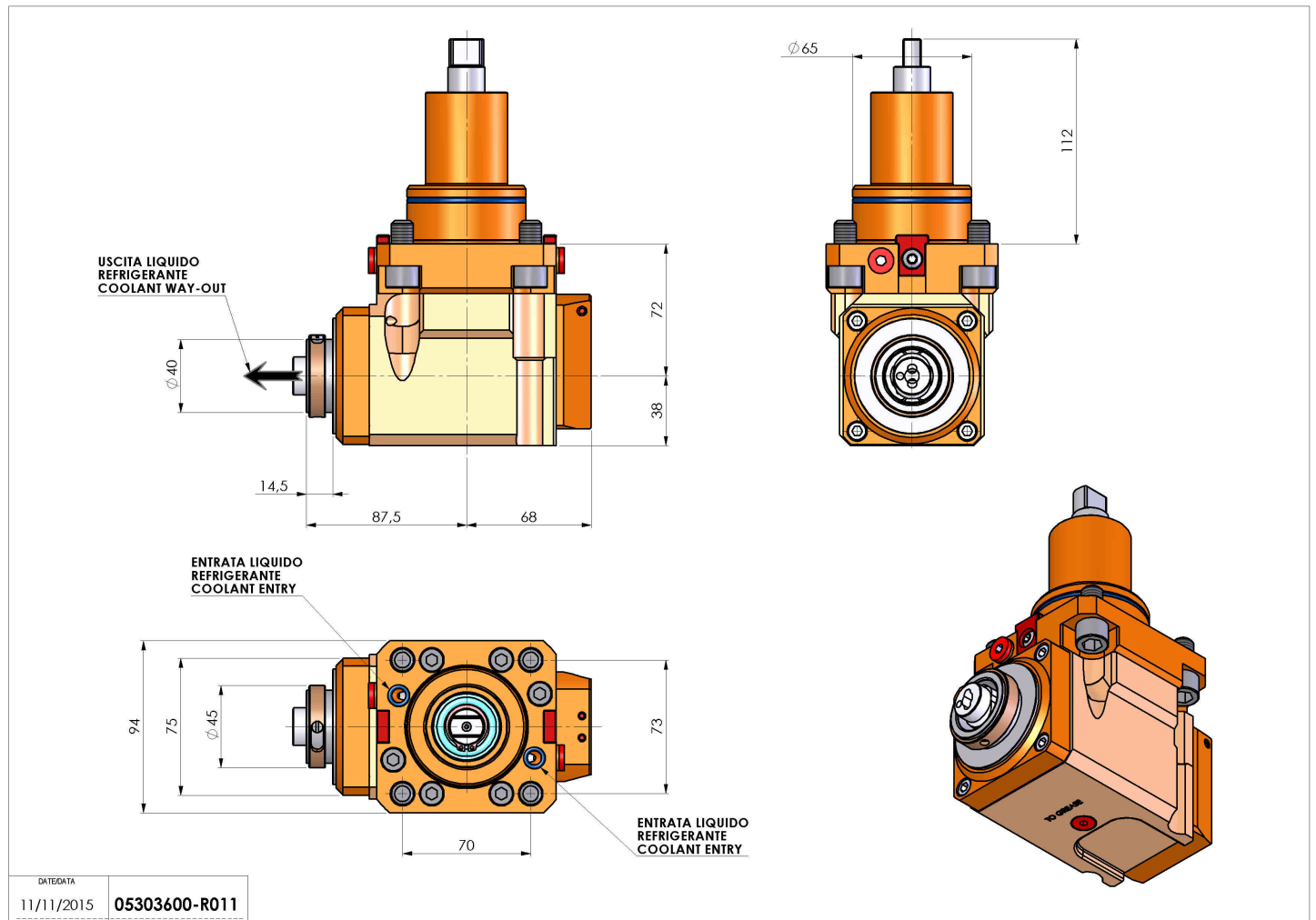


05303600 - LT-A BMT65 HSK40 LR RF H72

Type	LT-A Tool holder angle 90°
Mounting	BMT 65
Tool output	Quick Change HSK40
Coolant	Internal coolant
Direction of rotation	r1 r2
Max speed [rpm]	6000
Max torque [Nm]	63
Ratio	1:1
H [mm]	72
H1 [mm]	38
Accessories	N.A.
Notes	N.A.
Mounting tips	Not suitable for every application, please check



Always check live tool dimensions on the turret



DATE/DATE	11/11/2015
PART NUMBER	05303600-R011

Subject to technical changes