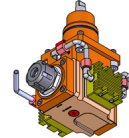
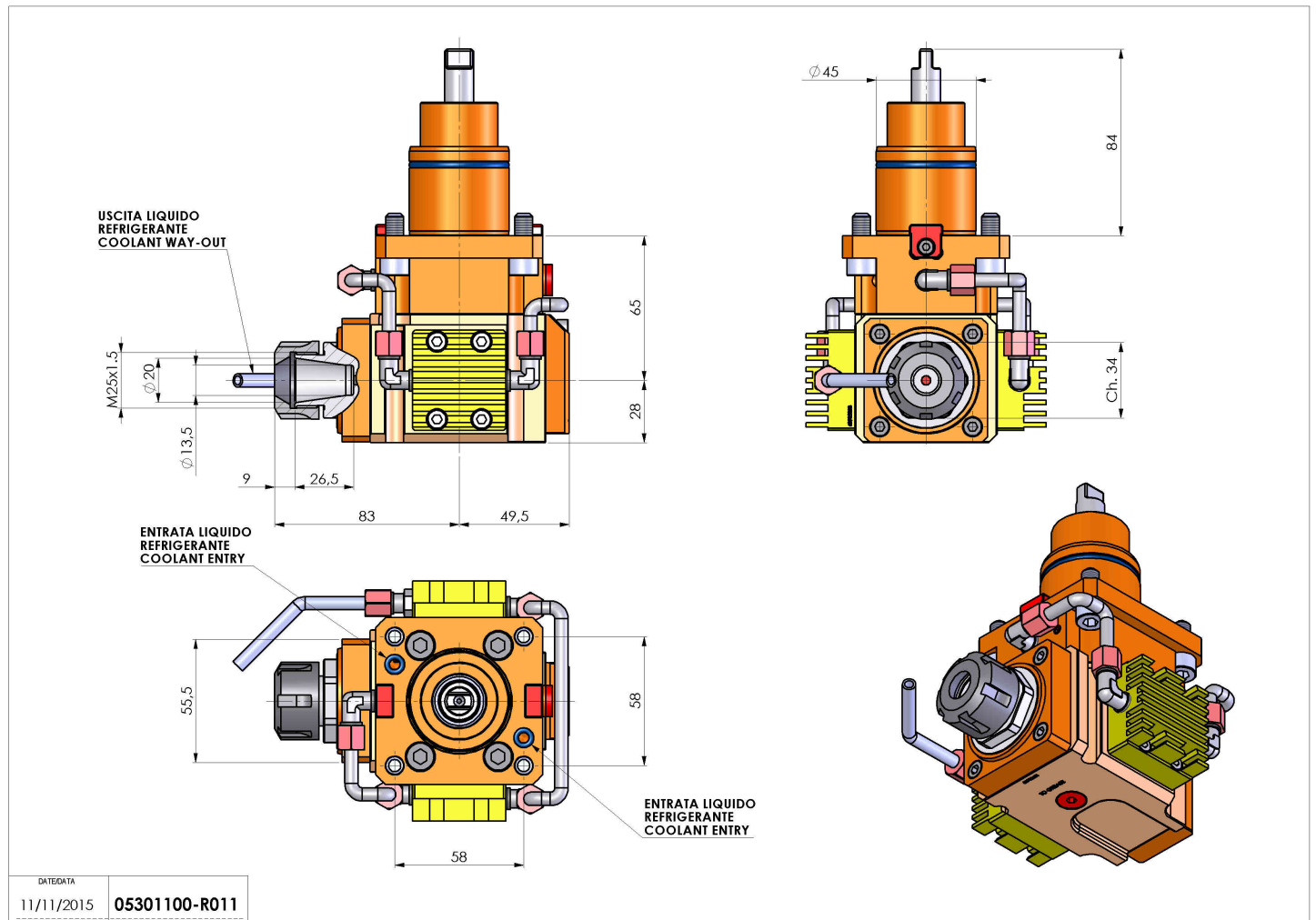


05301100 - LT-A BMT45 ER20 1:2 LR KR H65

Type	LT-A Tool holder angle 90°
Mounting	BMT 45
Tool output	Collet nut ER 20
Coolant	With coolant kit
Direction of rotation	r1 r2
Max speed [rpm]	in 6000 / out 12000
Max torque [Nm]	in 10 / out 5
Ratio	1:2
H [mm]	65
H1 [mm]	28
Accessories	N.A.
Notes	N.A.
Mounting tips	Not suitable for every application, please check



Always check live tool dimensions on the turret



DATE/DATE	11/11/2015
PART NUMBER	05301100-R011

Subject to technical changes