

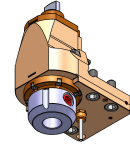
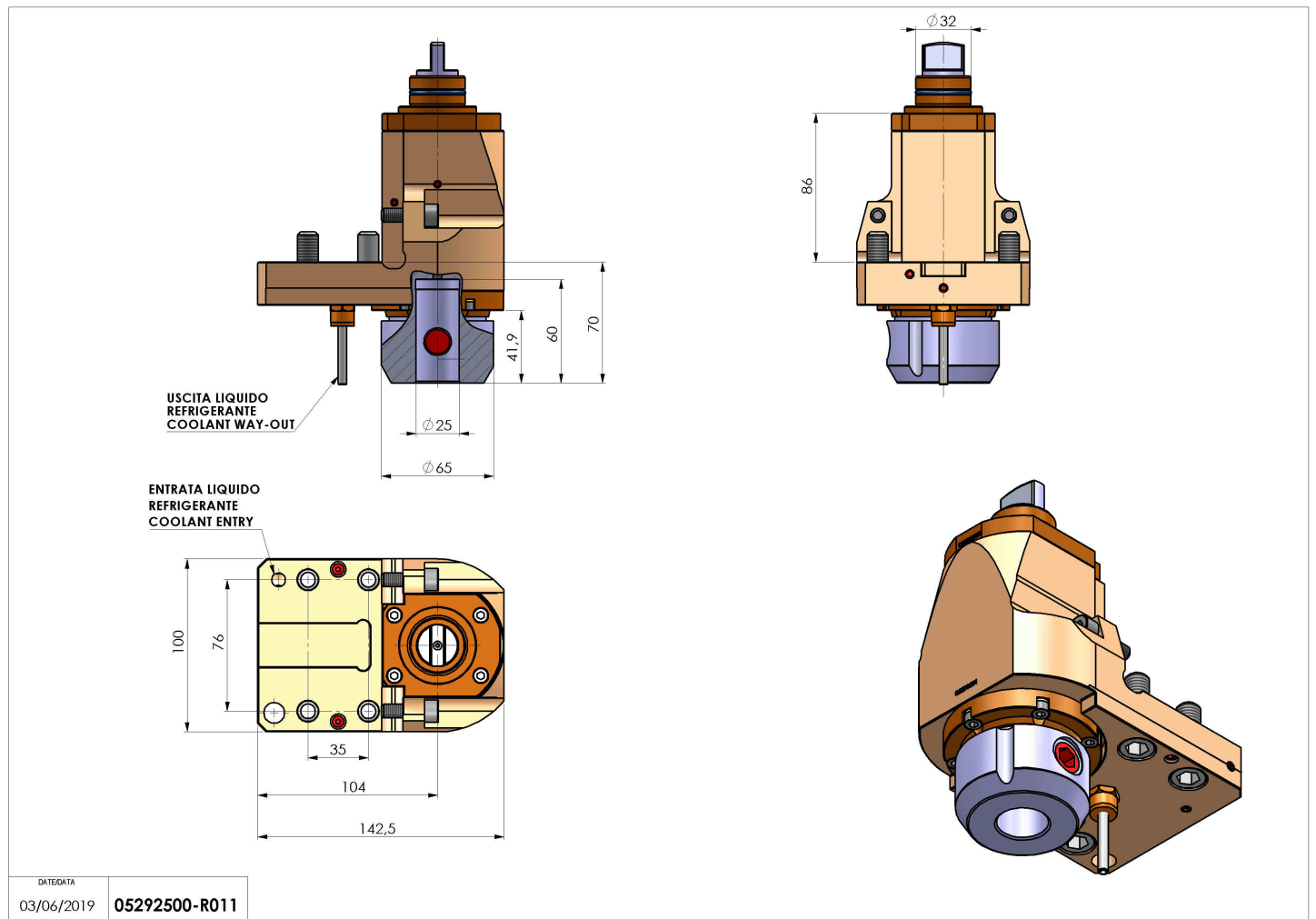


05292500 - LT-S D32 WELDON25 HS H70

Type	LT-S Tool holder straight
Mounting	CYLINDRICAL SHANK 32
Tool output	Weldon 25 DIN1835B
Coolant	External coolant
Direction of rotation	r1  r2 
Max speed [rpm]	12000
Max torque [Nm]	70
Ratio	1:1
H [mm]	70
Accessories	N.A.
Notes	N.A.
Mounting tips	Not suitable for every application, please check



Always check live tool dimensions on the turret



DATE/DATE
03/06/2019 05292500-R011

Subject to technical changes